



AMERICA'S BEST VALUE IN SWING SETS.™

7.0 Bengal Fort Install Manual for Double Decker

Version 8.15



Tools Needed for Assembly

Tape Measure	24" Level	Angle Square
Phillips Screw Driver	3/8" Cordless Drill or Electric Drill	3/8" Drive Ratchet or Electric Impact Gun
Claw Hammer or Rubber Mallet	Pliers or Vise Grips	7/16" Deep Well Socket
9/16" Deep Well Socket	3/4" Deep Well Socket	1/8", 1/4", and 9/16" Drill Bits
Phillips Head Screw Bits	An Adult with two Adult Helpers	

Please familiarize yourself with the install manual, parts/components and general construction process of your new swing set before getting started. Approximate assembly time: 6 to 8 hours. 6 foot unobstructed safety perimeter around swing set recommended.

Choosing A Location For Your Playset

When choosing a location for your swing set, always keep your child or children's safety in mind. Here are some recommendations to help you locate and install a safe play area.

- This play set is designed for the use of 4 occupants who have a combined weight not exceeding 800 pounds on the elevated floor; 3 occupants who have a combined weight of 525 pounds on the swing area; for a total Unit capacity of 5 occupants who have a combined weight of 1325. (this weight is not including the picnic table area)
- On-site adult supervision is required.
- The swing set should be located on level ground. The stationary components such as ladders and slides are required to be a minimum of six feet from any structure or obstruction such as a fence, garage, house, tree, overhanging branches, electrical wires, clotheslines, etc. Any swinging equipment is also required to be a minimum distance twice the height of the swing beam away from these obstructions or structures as well. The swing set should be located a safe distance from any water hazards, such as a lake, river, bayou, swimming pool, etc.
- Do not install this residential swing set in a commercial setting. This swing set is not manufactured for commercial usage and will void all warranties. Tree Frogs Wooden Swing Set Factory is not responsible for any damages or injuries resulting from this swing set being used in a commercial setting.
- Never install this swing set indoors; or over concrete, asphalt, packed earth, grass, carpet or any other hard surface. A fall onto a hard surface can result in serious or fatal injury.
- The U.S. Consumer Product Safety Commission (CPSC) recommends that you install and maintain a resilient surface under your swing set. The CPSC's Consumer Information Sheet for Playground Surfacing Materials is on the next page. A resilient surface, should be installed after the swing set has been completely assembled according to these instructions. The swing set must rest on solid ground. Please note that this swing set has a maximum fall height of 7'.

Maintaining Your Swing Set

Here are some maintenance tips required to insure safe play on your swing set for years of fun.

- At the beginning of each usage season and every two weeks during, check: nuts and bolts and tighten as needed, swing seats, chains, ladders, slides, rope and wood components for sign of deterioration and replace if necessary.
- On a yearly basis, we recommend that you coat your swing set with a sealant or preservative. You may also want to spot sand any areas prior to sealing.

**** Special note: Although we recommend that you reseal your swing set annually, you may have to touch up the high traffic areas and/or areas that have a high exposure to direct sunlight.****

- Be sure that the sealant you select is non-toxic and child safe. Your local Tree Frogs Wooden Swing Set Factory dealer may offer a complete power wash and reseal and maintenance program.
- Do not use line trimmers or "weed eaters" around your swing set. The line will remove both paint and wood from uprights and base pieces. Any damage resulting from this type of abuse is not covered under our limited warranty.
- Remove plastic swing seats and take in doors or do not use when temperature drops below 0°F.

Weight Limits for Tree Frogs Swing Sets

Fort Platform: 800 Lbs. Total Weight

Swing Belts: 175 Lbs.

Trapeze: 125 Lbs.

Full Bucket Swing: 50 Lbs.

Toddler Bucket Swing: 50 Lbs.

Tire Swing: 125 Lbs. Total Weight

Rope Ladder: 75 Lbs.

Rock Wall: 150 Lbs.

All Slides: 125 Lbs.

Tree Frogs recommends that the weight limits for all components must not be exceeded. Failure to adhere to these and other safety guidelines could result in damage to the swing set and/or injury to the users.

Please keep this install manual for future reference.

To insure SAFE PLAY adults must teach children:

- Not to walk close to, in front of, behind, or between moving items.
- Not to swing empty swing seats.
- Not to swing sideways into the path of adjacent swings.
- Not to use the swing set in a manner other than that for which it is intended.
- Not to get off the equipment while it is in motion.
- Not to jump off the tower.
- Not to stand in the swing seats.
- Not to swing so high that chains become slack, or above the height of the swing support.
- Not to jump on a slide.
- Not to climb on top of the swing support.
- Not to attach to the swing set any item that is not specifically designed for use with the equipment, such as (but not limited to) jump ropes, clotheslines, pet leashes, cables, and chains. These may become strangulation hazards.
- To hold on to swings and climbers with both hands.
- To slide feet first, never head first.
- To watch for other children while swinging or playing near the swing set.

To also insure SAFE PLAY adults must:

- Limit climbing and swinging heights to each child's ability.
- Verify that suspended climbing ropes are secured at both ends.
- Verify that suspended climbing ropes cannot be looped back on themselves.
- Dress children appropriately for play. Use well-fitted shoes that do not have slippery soles.
- Avoid ponchos, scarves, hoods, loose fitting clothing, neckties, and any clothing with a drawstring. Serious injury could result should any part of the children's clothing become entangled in the swing set.
- Do not allow children to play wearing helmets.
- Remember that children are inventive. When they develop games that are unsafe, be alert and change the rules.

IMPORTANT - PLEASE READ

As fresh lumber acclimates to its new environment, the natural tendencies of the tree can show itself in the form of checks, or "cracks" in the lumber. In almost all cases this is normal and it will not affect the structural integrity of your play set.

Cosmetic defects that do not affect the structural integrity of the product, or natural defects of wood such as warping, checking or any other physical properties of wood that do not present a safety hazard, are not covered by this warranty.

Defects that develop because the product is exposed to extreme climate conditions are not covered by this warranty.

Defects that develop as a result of faulty or improper installation of the product are also not covered by this warranty.

Most cracks are not warrantable, however if you believe that the integrity of your play set is compromised by this natural occurrence, please contact the Tree Frogs Swing Set Dealer that you purchased your swing set from.

We appreciate your purchase and know that you will enjoy your play system for many years to come.

Pre-Assembly Hints

- Depending on your experience, assembly of our play sets can take as little as 6 hours up to 24 hours, depending on size, after inventory of parts; therefore, we recommend you set aside a full two days for assembly.
- Identify all of the parts for your play set. Empty each box and lay out boards so you can see each part. Your instruction book will have detailed drawings that will make it easy for you to recognize individual parts. Keep all hardware and metal parts separate from wooden pieces.
- After everything is laid out, check carefully to ensure all parts are present. Make sure there are no broken boards.
- Find an area to sort your hardware. It is best to open the hardware on a solid surface so that you do not lose any pieces in the grass. This will save time and familiarize you with all the different pieces in the hardware bag.

****Important note:** Wood has some natural defects such as knots, surface cracks, etc... We reject parts that are structurally defective. We use a high quality lumber in our structures; however, you should inspect each part for splinters or rough spots and sand them smooth to prevent injury.**

- After familiarizing yourself with all of the components, read all instructions thoroughly. Reading instructions after you have studied the parts will help you understand more clearly the installation process, and help to eliminate unnecessary mistakes.
- Pay close attention to the diameter and length of each bolt and screw.
- Never tighten hardware completely at first. It helps to have some adjustment for bolt alignment while you are attaching parts together. After everything is square, tighten each joint.
- After the main unit is assembled it is critical that the floor is level and square. If the main frame is not level, the walls and floor will be out of square.
- After you complete installation, make sure every bolt, screw, and nut is tight, and every board is secure. Wood will expand and contract with the seasons.
- Place the set on level ground, not less than 6ft from any structure or obstruction such as a fence, garage, house, overhanging branches, laundry lines, or electrical wires.
- All 1/4" and 3/8" lag bolts must have pre-drilled holes 1-1/2" to 2" deep. Use a 1/8" drill bit for the 1/4" lag bolts and 1/4" drill bit for 3/8" lag bolts. Use pre-drilled holes in facias as a reference for placing lag bolt pilot holes.
- If a board lifts or rises causing a gap between boards when running in lag bolts or screws, back out the screw or lag bolt and press or apply pressure (but not enough to crack or break board) while re-running in the lag bolt or screw in the same hole.
- Do not over tighten bolts, lag bolts or screws. You can damage boards, break hardware, and/or strip out the hardware.
- When using hammer do not beat on the hardware, but gently tap it in. Never beat on the wood as it will leave marks.

Leveling Your Swing Set During Assembly

- Complete the steps which will be the basic frame of the fort {i.e. four corner posts with base (sand box boards) and deck supports}
- Position in the most level area chosen for the play set, keeping in mind the location and size of the swing beam, ladder, slides, etc. that extend off the fort.
- Once the frame is in the final position, check for vertical and horizontal levelness to determine which side(s) will need to be dug into the ground to level the play set.
- With a shovel, score the ground around the outside edges of the sandbox boards on the 'high' side of the fort. This is the area that will be dug in. Make sure to score deep enough; the scored lines will be your digging template.
- Push the frame off and away from the scored area, far enough to dig and remove dirt to reach the appropriate depth.
- Dig a channel along the scored line(s) for the base of the fort (corner post and sandbox boards) to rest into. Dig the channel(s) to the same level depth. The bottom of the channel(s) should be level to each other so your frame doesn't teeter or rock because the channel(s) are uneven.
- Once you have removed enough grass and dirt, slide/push the frame into the channel(s). Place a level on the vertical and horizontal boards of the frame to determine if enough soil, or too much, was removed.
- Repeat this process until the basic frame is plumb and level and in its final position before completing the rest of the assembly.
- Measure to make sure fort is square.

**** Important:** if you require a channel depth of more than 6", then we recommend you have your play set area professionally graded before completing assembly. **

CONSUMER INFORMATION SHEET FOR PLAYGROUND SURFACING MATERIALS

The U.S. Consumer Product Safety Commission (CPSC) estimates that about 100,000 playground equipment related injuries resulting from falls to the ground surface are treated annually in U.S. hospital emergency rooms. Injuries involving this hazard pattern tend to be among the most serious of all playground injuries, and have the potential to be fatal, particularly when the injury is to the head. The surface under and around playground equipment can be a major factor in determining the injury-causing potential of a fall. It is self-evident that a fall onto a shock-absorbing surface is less likely to cause a serious injury than a fall onto a hard surface. However, it should be recognized that some injuries from falls will occur no matter what playground surfacing material is used.

Playground equipment should never be placed on hard surfaces such as concrete or asphalt. Grass may appear to be acceptable, but can turn to hard packed earth in areas of high traffic. Shredded bark mulch, wood chips, or fine gravel are considered to be acceptable shock absorbing surfaces when installed and maintained at a sufficient depth under and around play equipment.

TABLE 1 -CRITICAL HEIGHTS (in feet) OF TESTED MATERIAL

MATERIAL	UNCOMPRESSED DEPTH			COMPRESSED DEPTH
	6 Inch	9 Inch	12 Inch	9 inch
Wood Chips	7	10	11	10
Double Shredded Bark Mulch	6	10	11	7
Engineered Wood Fibers	6	7	>12	6
Fine Sand	5	5	9	5
Coarse Sand	5	5	6	4
Fine Gravel	6	7	10	6
Medium Gravel	5	5	6	5
Shredded Tires**	10-12	N/A	N/A	N/A

** This is data from tests conducted by independent testing laboratories on a 6 inch depth of uncompressed shredded tire samples produced by four manufacturers. The test reported critical heights, which varied from 10 feet to greater than 12 feet. It is recommended that persons seeking to install shredded tires as a protective surface request test data from the supplier showing the critical height of the material when it was tested in accordance with ASTM F1292.

Table 1 should be read as follows: If, for example, uncompressed wood chips are used at a minimum of 6 inches, the Critical Height is 7 feet. If 9 inches of uncompressed wood chips are used, the Critical Height is 10 feet. It should be noted that, for some materials, the Critical Height decreases when the material is compressed. It is recommended that a shock absorbing material should extend a minimum of 6 feet in all directions from the perimeter of stationary equipment such as climbers and slides. However, because children may deliberately jump from a moving swing, the shock absorbing material should extend in the front and rear of a swing a minimum distance of 2 times the height of the pivot point measured from a point directly beneath the pivot on the supporting structure.

This information is intended to assist in comparing the relative shock-absorbing properties of various materials. No particular material is recommended over another. However, each material is only effective when properly maintained. Materials should be checked periodically and replenished to maintain correct depth as determined necessary for your equipment. The choice of a material depends on the type and height of the playground equipment, the availability in your area, and its cost.

This information has been extracted from the CPSC publications “Playground Surfacing-Technical Information Guide” and “Handbook for Public Playground Safety.” Copies of these reports can be obtained by sending a postcard to:

Office of Public Affairs
U.S. Consumer Product Safety Commission
Washington, D.C. 20207
Toll-free Hotline: 1-800-638-2772 or at <http://www.cpsc.gov>

Bengal Fort- Universal Bundle

Item No.	Part No.	Part Description	QTY.
BFU-1	13-4-00076	UNIVERSAL FORT 4- HOLE FACIA	7
BFU-2	17-4-00157	UNIVERSAL FORT MAINBEAM	2
BFU-3	16-4-00285	UNIVERSAL FORT TOP JOIST SB	1
BFU-4	16-4-00283	UNIVERSAL FORT TRAPEZE ARM	1
BFU-5	16-4-00216	LEFT GUSSET BRACKET	3
BFU-6	16-4-00217	RIGHT GUSSET BRACKET	3
BFU-7	13-4-00077	UNIVERSAL FORT 8- HOLE FACIA	2
BFU-8	16-4-00214	UNIVERSAL FORT CENTER UPRIGHT	2
BFU-9	13-4-00068	UNIVERSAL 6- HOLE FACIA	2
BFU-10	12-4-00141	UNIVERSAL RAIL BOTTOM	4

7.0 Bengal Fort Double Decker Bundle C.

BDC-1	13-4-00076	UNIVERSAL FORT 4- HOLE FACIA	4
BDC-2	16-4-00301	136" FORT CORNER POST	4
BDC-3	17-4-00157	UNIVERSAL FORT MAINBEAM	2
BDC-4	16-4-00216	LEFT GUSSET BRACKET	2
BDC-5	16-4-00217	RIGHT GUSSET BRACKET	2
BDC-6	16-4-00329	FORT DOUBLE DECKER CORNER POST	2
BDC-7	13-4-00077	UNI. FORT 8- HOLE FACIA	2
BDC-8	16-4-00298	UNI. FORT TOP JOIST	1
BDC-9	16-4-00214	UNI. FORT CENTER UPRIGHT	1
BDC-10	13-4-00068	UNI. 6-HOLE FACIA	2
BDC-11	12-4-00191	DOUBLE DECKER RAIL BOTTOM	2
BDC-12	12-4-00190	DOUBLE DECKER RAIL TOP	1
BDC-13	15-4-00011	DOUBLE DECKER RAIL SPINDLES	13
BDC-14	16-4-00286	80" FORT LEFT LADDER LEG	1
BDC-15	16-4-00287	80" FORT RIGHT LADDER LEG	1
BDC-16	13-4-00079	UNI. FORT LADDER STEP	5

Universal Deck Bundle (2 Sets)

UDB-1	12-4-00139	SMALL DECK BOARD	16
UDB-2	13-4-00064	LARGE DECK BOARD	12
UDB-3	12-4-00138	UNIVERSAL DECK RUNNER	8
UDB-4	13-4-00063	UNIVERSAL DECK SUPPORT	4

Bengal Fort Tarp Bundle

Item No.	Part No.	Part Description	QTY.
BTB-1	16-4-00284	UNIVERSAL FORT CENTER POST	2
BTB-2	12-4-00145	UNIVERSAL TARP BOARD	3

Bengal Fort Double Decker Tarp Bundle

DTB-1	16-4-00311	FORT DOUBLE DECKER CENTER POST	2
DTB-2	12-4-00145	UNIVERSAL TARP BOARD	3

7.0 Fort Rockwall Bundle

RW-1	16-4-00308	107 1/2" FORT LEFT RW LADDER LEG	1
RW-2	16-4-00307	107 1/2" FORT RIGHT RW LADDER LEG	1
RW-3	11-4-00138	UNI. FORT RW BOARD W/ ROPE HOLE	1
RW-4	11-4-00139	UNI. FORT RW BOARD BLANK	6
RW-5	11-4-00140	UNI. FORT RW BOARD W/ ROCK HOLES	10
RW-6	10-4-00266	UNI. FORT RW BOARD- SLIM	1
RW-7	16-4-00215	UNIVERSAL ROPE BLOCK	1
RW-8	16-4-00218	UNIVERSAL ENTRAPMENT BLOCK	2

Fort Picnic Table Bundle

PIC-1	12-4-00139	UNIVERSAL DECK BOARD- SLIM	1
PIC-2	12-4-00180	UNI. FORT PICNIC TABLE SUPPORTS	4
PIC-3	12-4-00181	UNI. FORT PICNIC TABLE BOARD	4
PIC-4	12-4-00182	UNI. FORT PICNIC TABLE RUNNER	2
PIC-5	12-4-00183	UNI. FORT PICNIC TABLE RUNNER NO HOLES	1
PIC-6	12-4-00184	UNI. FORT PICNIC TABLE SEAT RUNNER	4
PIC-7	12-4-00185	UNI. FORT PICNIC SEAT RUNNER NO HOLES	2
PIC-8	13-4-00080	UNI. FORT PICNIC TABLE BOARD- WIDE	7

Universal Rail Bundle (Count Per Rail)

RAIL-1	12-4-00140	UNIVERSAL RAIL TOP	1
RAIL-2	12-4-00141	UNIVERSAL RAIL BOTTOM	1
RAIL-3	15-4-00008	UNIVERSAL RAIL SPINDLE	5

Bengal Fort Wood Roof Bundle

Item No.	Part No.	Part Description	QTY.
WRB-1	12-4-00206	BENGAL FORT WR SUPPORT (RIGHT)	2
WRB-2	12-4-00207	BENGAL FORT WR SUPPORT (LEFT)	2
WRB-3	10-4-00331	BENGAL FORT WR CENTER SUPPORT	2
WRB-4	19-4-00084	BENGAL FORT WOOD ROOF BOARD	20
WRB-5	10-4-00332	BENGAL FORT FAN BOARD #1	2
WRB-6	10-4-00333	BENGAL FORT FAN BOARD #2	4
WRB-7	10-4-00334	BENGAL FORT FAN BOARD #3	2
WRB-8	11-4-00174	BENGAL FORT FAN BOARD #4	2
WRB-9	20-4-00007	UNIVERSAL WR PEAK FACIA	2
WRB-10	16-4-00290	UNI. FORT WOOD ROOF CENTER POST	2

Double Decker Wood Roof Bundle

DWR-1	12-4-00206	BENGAL FORT WR SUPPORT (RIGHT)	2
DWR-2	12-4-00207	BENGAL FORT WR SUPPORT (LEFT)	2
DWR-3	10-4-00331	BENGAL FORT WR CENTER SUPPORT	1
DWR-4	10-4-00335	DD WOOD ROOF CENTER SUPPORT	1
DWR-5	19-4-00084	BENGAL FORT WR BOARD	17
DWR-6	10-4-00332	BENGAL FORT FAN BOARD #1	2
DWR-7	10-4-00333	BENGAL FORT FAN BOARD #2	4
DWR-8	10-4-00334	BENGAL FORT FAN BOARD #3	2
DWR-9	11-4-00174	BENGAL FORT FAN BOARD #4	2
DWR-10	20-4-00007	UNIVERSAL WR PEAK FACIA	2
DWR-11	16-4-00290	UNI. FORT WOOD ROOF CENTER POST	2

Bengal Fort Standard Box

Item No.	Part No.	Part Description	QTY.
STB-1	59-1-00013	TREEFROGS PLAQUE	1
STB-2	57-2-00004	1 1/4" PLAYGRIP SAFETY HANDLE	5
STB-3	57-2-00005	1 1/4" PLAYGRIP LADDER HANDLE	2
STB-4	56-1-00012	DUCTILE IRON SWING HANGER	2
STB-5	59-1-00011	SPRING CLIPS- 10 X 100MM	2
STB-6	58-1-00013	FORT LADDER BRACKET	1

Bengal Fort Double Decker Box (Color Depend on Package)

DDB-1	37-1-00018	19" SHIP'S WHEEL	1
DDB-2	37-1-00020	BINOCULARS	1
DDB-3	37-1-00021	TELESCOPE	1
DDB-4	60-1-00006	20" TRAPEZE BAR W/ RINGS	1

Bengal Fort Hardware Bag

BFH-1	40-1-00001	3/8" ACORN NUT PLATED	4
BFH-2	40-1-00002	1/2" ACORN NUT PLATED	12
BFH-3	40-1-00013	1/2" X 7" CARRIAGE BOLT	12
BFH-4	41-1-00025	3/8" BOLT CUP	4
BFH-5	40-1-00028	1/2" HEX NUT	12
BFH-6	40-1-00043	3/8" X 5" HEX BOLT	4
BFH-7	40-1-00054	1/4" X 2" HEX LAG SCREW	12
BFH-8	40-1-00055	1/4" X 3" HEX LAG SCREW	20
BFH-9	40-1-00056	1/4" X 4 1/2" HEX LAG SCREW	26
BFH-10	40-1-00059	3/8" X 3 1/2" HEX LAG SCREW	70
BFH-11	40-1-00061	3/8" X 5" HEX LAG SCREW	2
BFH-12	40-1-00064	3/8" NYLON INSERT LOCKNUT	4
BFH-13	40-1-00069	#14 X 1 1/4" PAN PHILLIPS T/S	2
BFH-14	40-1-00073	3/8" SPLIT LOCKWASHER	4
BFH-15	40-1-00074	1/2" SPLIT LOCKWASHER	12
BFH-16	40-1-00081	1/4" USS FLATWASHER	75
BFH-17	40-1-00082	3/8" USS FLATWASHER	76
BFH-18	40-1-00083	1/2" USS FLATWASHER	12
BFH-19	40-1-00084	3/4" USS FLATWASHER	12
BFH-20	40-1-00070	#14 X 2" PAN PHILLIPS T/S	17

Ben. Fort Double Decker Hdwr. Bag

Item No.	Part No.	Part Description	QTY.
DDH-1	40-1-00002	1/2" ACORN NUT PLATED	8
DDH-2	40-1-00013	1/2" X 7" CARRIAGE BOLT	8
DDH-3	40-1-00028	1/2" HEX NUT	8
DDH-4	40-1-00054	1/4" X 2" HEX LAG SCREW	8
DDH-5	40-1-00055	1/4" X 3" HEX LAG SCREW	20
DDH-6	40-1-00056	1/4" X 4 1/2" HEX LAG SCREW	44
DDH-7	40-1-00059	3/8" X 3 1/2" HEX LAG SCREW	38
DDH-8	40-1-00061	3/8" X 5" HEX LAG SCREW	6
DDH-9	40-1-00070	#14 X 2" PAN PHILLIPS T/S	7
DDH-10	40-1-00074	1/2" SPLIT LOCKWASHER	8
DDH-11	40-1-00081	1/4" USS FLATWASHER	75
DDH-12	40-1-00082	3/8" USS FLATWASHER	42
DDH-13	40-1-00083	1/2" SPLIT LOCKWASHER	8
DDH-14	40-1-00084	3/4" USS FLATWASHER	8

Universal Deck Hardware Bundle (Count per Deck Bundle)

UDH-1	40-1-00022	2 1/2" COATED DECK SCREW	84
-------	------------	--------------------------	----

Double Decker Rail Hdwr.

DRH-1	40-1-00022	2 1/2" COATED DECK SCREW	52
-------	------------	--------------------------	----

Universal Rail Hdwr. (Count Per Rail)

RH-1	40-1-00022	2 1/2" COATED DECK SCREW	20
------	------------	--------------------------	----

Fort Picnic Table Hdwr. Bag

PH-1	40-1-00022	2 1/2" COATED DECK SCREW	78
PH-2	40-1-00056	1/4" X 4 1/2" HEX LAG SCREW	12
PH-3	40-1-00059	3/8" X 3 1/2" HEX LAG SCREW	8
PH-4	40-1-00081	1/4" USS FLATWASHER	12
PH-5	40-1-00082	3/8" USS FLATWASHER	8

7.0 Fort Rockwall Hardware

Item No.	Part No.	Part Description	QTY.
RWH-1	40-1-00067	1/4" X 1 1/4" PAN PHILLIPS M/S	40
RWH-2	40-1-00077	1/4" X 7/16" 4 PRONG T-NUT	40
RWH-3	40-1-00081	1/4" USS FLATWASHER	40
RWH-4	40-1-00061	3/8" X 5" HEX LAG SCREW	8
RWH-5	40-1-00082	3/8" USS FLATWASHER	8
RWH-6	40-1-00022	2 1/2" COATED DECK SCREW	72

Bengal Fort WR Hardware Bag

BRH-1	40-1-00082	3/8" USS FLATWASHER	4
BRH-2	40-1-00083	1/2" USS FLATWASHER	4
BRH-3	40-1-00081	1/4" USS FLATWASHER	16
BRH-4	40-1-00055	1/4" X 3" HEX LAG SCREW	16
BRH-5	40-1-00020	1 5/8" COATED DECK SCREWS	130
BRH-6	40-1-00022	2 1/2" COATED DECK SCREWS	12
BRH-7	40-1-00115	3/8" X 5 1/2" CARRIAGE BOLT	4
BRH-8	40-1-00073	3/8" SPLIT LOCKWASHER	4
BRH-9	40-1-00026	3/8" HEX NUT	4
BRH-10	40-1-00001	3/8" ACORN NUT PLATED	4

Double Decker WR Hardware Bag

DWH-1	40-1-00082	3/8" USS FLATWASHER	4
DWH-2	40-1-00059	3/8" X 3 1/2" HEX LAG SCREW	2
DWH-3	40-1-00083	1/2" USS FLATWASHER	2
DWH-4	40-1-00081	1/4" USS FLATWASHER	14
DWH-5	40-1-00056	1/4" X 4 1/2" HEX LAG SCREW	14
DWH-6	40-1-00020	1 5/8" COATED DECK SCREW	121
DWH-7	40-1-00022	2 1/2" COATED DECK SCREW	8
DWH-8	40-1-00115	3/8" X 5 1/2" CARRIAGE BOLT	2
DWH-9	40-1-00073	3/8" SPLIT LOCKWASHER	2
DWH-10	40-1-00026	3/8" HEX NUT	2
DWH-11	40-1-00001	3/8" ACORN NUT PLATED	2

Bengal Fort- Universal Bundle

BFU-1
Universal Fort 4- Hole Facia
QTY. 7



BFU-2
Universal Fort Mainbeam
QTY. 2



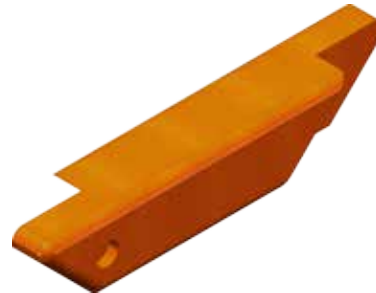
BFU-3
Universal Fort Top Joist SB
QTY. 1



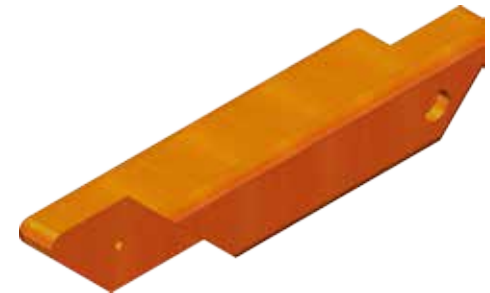
BFU-4
Universal Fort Trapeze Arm
QTY. 1



BFU-5
Left Gusset Bracket
QTY. 3



BFU-6
Right Gusset Bracket
QTY. 3



BFU-7
Universal Fort 8- Hole Facia
QTY. 2



BFU-8
Universal Fort Center Upright
QTY. 2



BFU-9
Universal 6- Hole Facia
QTY. 2



Bengal Fort- Universal Bundle

BFU-10
Universal Rail Bottom
QTY. 4



7.0 Bengal Fort Double Decker Bundle C.

BDC-1
Universal Fort 4- Hole Facia
QTY. 4



BDC-2
136" Fort Corner Post
QTY. 4

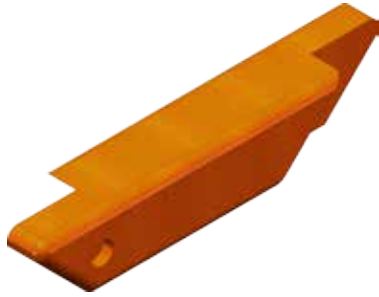


BDC-3
Universal Fort Mainbeam
QTY. 2

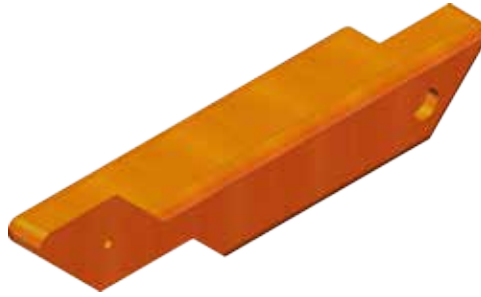


7.0 Bengal Fort Double Decker Bundle C.

BDC-4
Left Gusset Bracket
QTY. 2



BDC-5
Right Gusset Bracket
QTY. 2



BDC-6
Fort Double Decker Corner Post
QTY. 2



BDC-7
Uni. Fort 8- Hole Facia
QTY. 2



BDC-8
Uni. Fort Top Joist
QTY. 1



BDC-9
Uni. Fort Center Upright
QTY. 1



BDC-10
Uni. Fort 6- Hole Facia
QTY. 1



BDC-11
Double Decker Rail Bottom
QTY. 2



BDC-12
Double Decker Rail Top
QTY. 1

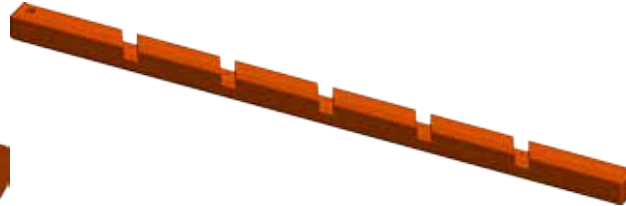


7.0 Bengal Fort Double Decker Bundle C.

BDC-13
Double Decker Rail Spindles
QTY. 13



BDC-14
80" Fort Left Ladder Leg
QTY. 1



BDC-15
80" Fort Right Ladder Leg
QTY. 1



BDC-16
Uni. Fort Ladder Step
QTY. 5



Universal Deck Bundle (2 Set QTY.)

UDB-1
Small Deck Board
QTY. 16



UDB-2
Large Deck Board
QTY. 12



UDB-3
Universal Deck Runner
QTY. 8



UDB-4
Universal Deck Support
QTY. 4



Bengal Fort Tarp Bundle

BTB-1
Universal Fort Center Post
QTT. 2



BTB-2
Universal Tarp Board
QTY. 3



Bengal Fort Double Decker Tarp Bundle

DTB-1
Fort Double Decker Center Post
QTY. 2



DTB-2
Universal Tarp Board
QTY. 3



7.0 Fort Rockwall Bundle

RW-1
107 1/2" Fort Left RW Ladder Leg
QTY. 1



RW-2
107 1/2" Fort Right RW Ladder Leg
QTY. 1



RW-3
Uni. Fort RW Board w/ Rope Hole
QTY. 1



RW-4
Uni. Fort RW Board Blank
QTY. 6



RW-5
Uni. Fort RW Board w/ Rock Holes
QTY. 10



RW-6
Uni. Fort RW Board-Slim
QTY. 1



RW-7
Universal Rope BLock
QTY. 1



RW-8
Uni. Entrapment Block
QTY. 2



Fort Picnic Table Bundle

PIC-1
Universal Deck Board- Slim
QTY.



PIC-2
Uni. Fort Picnic Table Supports
QTY. 4



PIC-3
Uni. Fort Picnic Table Board
QTY. 4



PIC-4
Uni. Fort Picnic Table Runner
QTY. 2



PIC-5
Uni. Fort Picnic Table Runner No Holes
QTY. 1



PIC-6
Uni. Fort Picnic Table Seat Runner
QTY. 4



PIC-7
Uni. Fort Picnic Seat Runner No Holes
QTY. 2



PIC-8
Uni. Fort Picnic Table Board-Wide
QTY. 7



Universal Rail Bundle (Count Per Rail)

RAIL-1
Universal Rail Top
QTY. 1



RAIL-2
Universal Rail Bottom
QTY. 1



RAIL-3
Universal Rail Spindle
QTY. 5



Bengal Fort Wood Roof Bundle

WRB-1
Bengal Fort WR Support (R)
QTY. 2



WRB-2
Bengal Fort WR Support (L)
QTY. 2



WRB-3
Bengal Fort WR Center Support
QTY. 2



WRB-4
Bengal Fort WR Board
QTY. 20



WRB-5
Bengal Fort Fan Board #1
QTY. 2



WRB-6
Bengal Fort Fan Board #2
QTY. 4



WRB-7
Bengal Fort Fan Board #3
QTY. 2



WRB-8
Bengal Fort Fan Board #4
QTY. 4



WRB-9
Universal WR Peak Facia
QTY. 2



Bengal Fort Wood Roof Bundle

WRB-10
Uni. Fort WR Center Post
QTY. 2



Double Decker Wood Roof Bundle

DWR-1
Bengal Fort WR Support (R)
QTY. 2



DWR-2
Bengal Fort WR Support (L)
QTY. 2



DWR-3
Bengal Fort WR Center Support
QTY. 1



DWR-4
DD WR Center Support
QTY. 1



DWR-5
Bengal Fort WR Board
QTY. 17



DWR-6
Bengal Fort Fan Board #1
QTY. 2



DWR-7
Bengal Fort Fan Board #2
QTY. 4



DWR-8
Bengal Fort Fan Board #3
QTY. 2



DWR-9
Bengal Fort Fan Board #4
QTY. 2



DWR-10
Universal WR Peak Facia
QTY. 2



DWR-11
Uni. Fort WR Center Post
QTY. 2

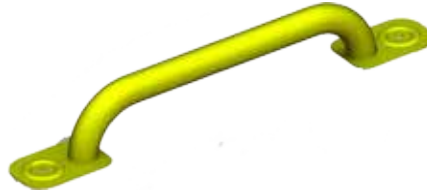


Bengal Fort Standard Box (Color Depends on Package)

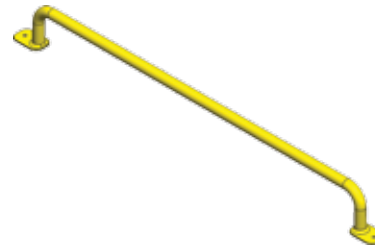
STB-1
Treefrogs Plaque
QTY. 1



STB-2
1 1/4" Playgrip Safety Handle
QTY. 5



STB-3
1 1/4" Playgrip Ladder Handles
QTY. 2



STB-4
Ductile Iron Swing Hanger
QTY. 2



STB-5
Spring Clips 10 x 100mm
QTY. 2



STB-6
Fort Ladder Bracket
QTY. 1



Bengal Fort Double Decker Box (Color Depends on Package)

DDB-1
19" Ship's Wheel
QTY. 1



DDB-2
Binoculars
QTY. 1



DDB-3
Telescope
QTY. 1



DDB-4
20" Trapeze Bar W/ Rings
QTY. 1



BENGAL FORT HARDWARE BAG

INSTALLER NOTE: (YOU MUST ASSEMBLE THIS PRODUCT IN ACCORDANCE WITH THESE ASSEMBLY INSTRUCTIONS. WHEN COMPLETE GIVE MANUAL TO OWNER.)

BFH-1
3/8" Acorn Nut Plated
QTY. 4



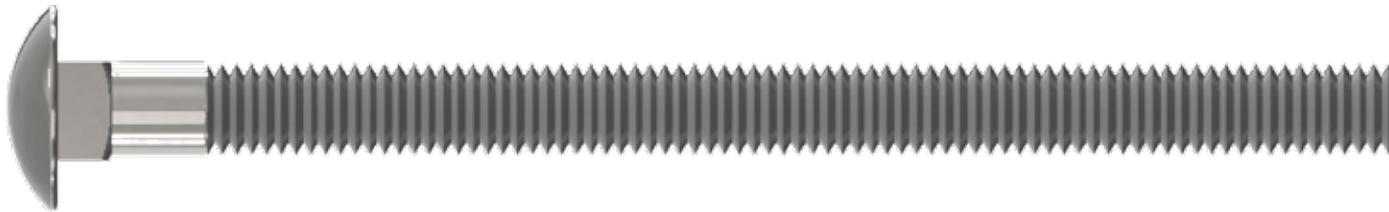
BFH-2
1/2" Acorn Nut Plated
QTY. 12



BFH-5
1/2" Hex Nut
QTY. 12



BFH-3
1/2" x 7" Carriage Bolt
QTY. 12



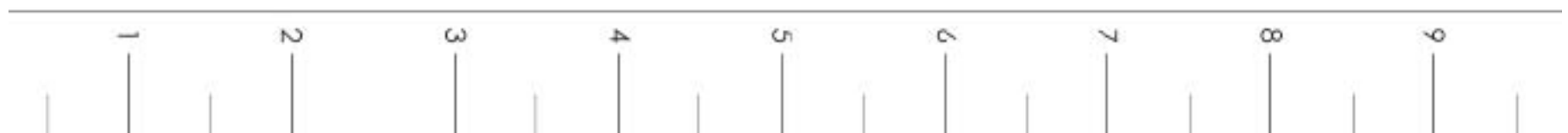
BFH-4
3/8" Bolt Cup
QTY. 4



BFH-6
3/8" x 5" Hex Bolt
QTY. 4



MEASUREMENT TAKEN FROM BOTTOM OF BOLT HEAD TO THE BOTTOM OF BOLT



USE THE RULER TO MEASURE YOUR BOLTS AND SCREWS. HARDWARE VIEWS SHOWN ABOVE ARE 1:1 SCALE AND CAN BE USED TO MATCH HARDWARE SIZES.

BENGAL FORT HARDWARE BAG

INSTALLER NOTE: (YOU MUST ASSEMBLE THIS PRODUCT IN ACCORDANCE WITH THESE ASSEMBLY INSTRUCTIONS. WHEN COMPLETE GIVE MANUAL TO OWNER.)

BFH-7
1/4" x 2" Hex Lag Screw
QTY. 12



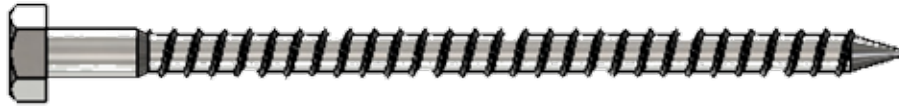
BFH-8
1/4" x 3" Hex Lag Screw
QTY. 20



BFH-10
3/8" x 3 1/2" Hex Lag Screw
QTY. 70



BFH-9
1/4" x 4 1/2" Hex Lag Screw
QTY. 26



BFH-11
3/8" x 5" Hex Lag Screw
QTY. 2



BFH-12
3/8" Nylon Locknut
QTY. 4



BFH-13
#14 x 1 1/4" Pan Phillips T/S
QTY. 2



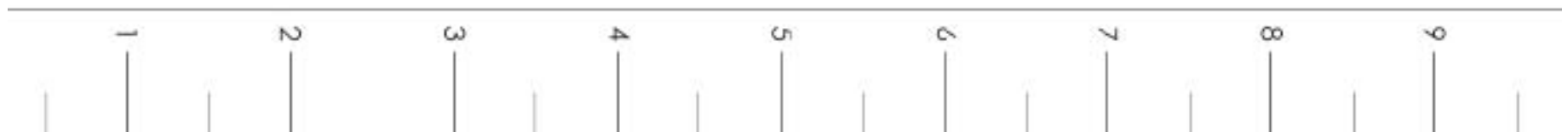
BFH-14
3/8" Split Lockwasher
QTY. 4



BFH-15
1/2" Split Lockwasher
QTY. 12



MEASUREMENT TAKEN FROM BOTTOM OF BOLT HEAD TO THE BOTTOM OF BOLT



USE THE RULER TO MEASURE YOUR BOLTS AND SCREWS. HARDWARE VIEWS SHOWN ABOVE ARE 1:1 SCALE AND CAN BE USED TO MATCH HARDWARE SIZES.

BENGAL FORT HARDWARE BAG

INSTALLER NOTE: (YOU MUST ASSEMBLE THIS PRODUCT IN ACCORDANCE WITH THESE ASSEMBLY INSTRUCTIONS. WHEN COMPLETE GIVE MANUAL TO OWNER.)

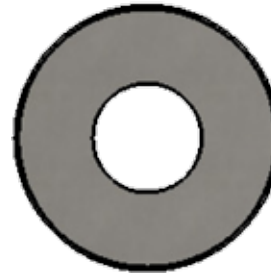
BFH-16
1/4" USS Flatwasher
QTY. 75



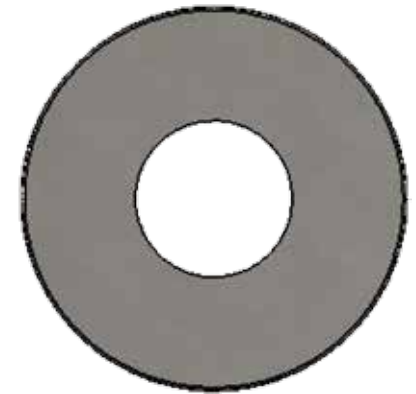
BFH-17
3/8" USS Flatwasher
QTY. 76



BFH-18
1/2" USS Flatwasher
QTY. 12



BFH-19
3/4" USS Flatwasher
QTY. 12



BFH-20
#14 x 2" Pan Phillips T/S
QTY. 4



MEASUREMENT TAKEN FROM BOTTOM OF BOLT HEAD TO THE BOTTOM OF BOLT



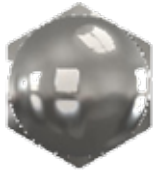
USE THE RULER TO MEASURE YOUR BOLTS AND SCREWS. HARDWARE VIEWS SHOWN ABOVE ARE 1:1 SCALE AND CAN BE USED TO MATCH HARDWARE SIZES.

BEN. FORT DOUBLE DECKER HARDWARE BAG

INSTALLER NOTE: (YOU MUST ASSEMBLE THIS PRODUCT IN ACCORDANCE WITH THESE ASSEMBLY INSTRUCTIONS. WHEN COMPLETE GIVE MANUAL TO OWNER.)

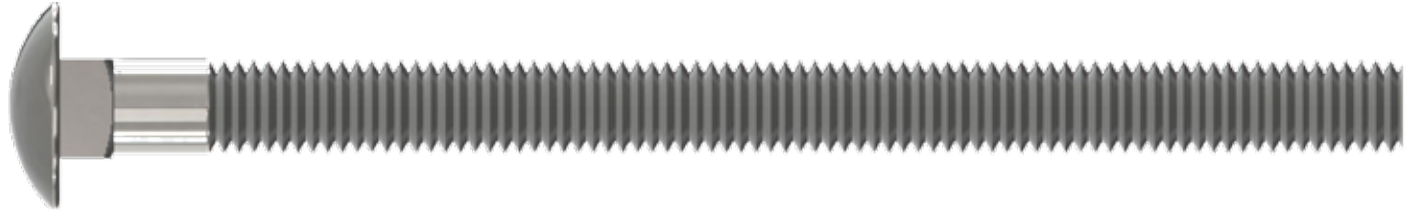
DDH-1

1/2" Acorn Nut Plated
QTY. 8



DDH-2

1/2" x 7" Carriage Bolt
QTY. 8



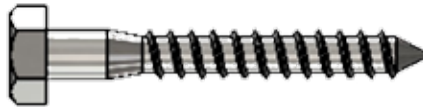
DDH-3

1/2" Hex Nut
QTY. 8



DDH-4

1/4" x 2" Hex Lag Screw
QTY. 8



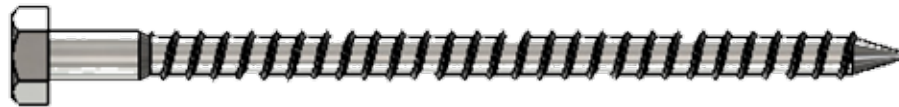
DDH-5

1/4" x 3" Hex Lag Screw
QTY. 20



DDH-6

1/4" x 4 1/2" Hex Lag Screw
QTY. 44



DDH-7

3/8" x 3 1/2" Hex Lag Screw
QTY. 38



MEASUREMENT TAKEN FROM BOTTOM OF BOLT HEAD TO THE BOTTOM OF BOLT



USE THE RULER TO MEASURE YOUR BOLTS AND SCREWS. HARDWARE VIEWS SHOWN ABOVE ARE 1:1 SCALE AND CAN BE USED TO MATCH HARDWARE SIZES.

BEN. FORT DOUBLE DECKER HARDWARE BAG

INSTALLER NOTE: (YOU MUST ASSEMBLE THIS PRODUCT IN ACCORDANCE WITH THESE ASSEMBLY INSTRUCTIONS. WHEN COMPLETE GIVE MANUAL TO OWNER.)

DDH-8
3/8" x 5" Hex Lag Screw
QTY. 6



DDH-9
#14 x 2" Pan Phillips T/S
QTY. 7



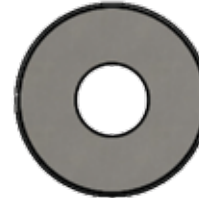
DDH-10
1/2" Split Lockwasher
QTY. 8



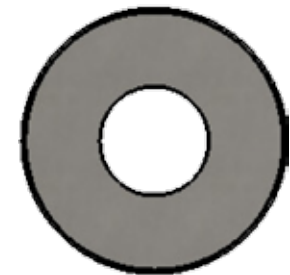
DDH-11
1/4" USS Flatwasher
QTY. 75



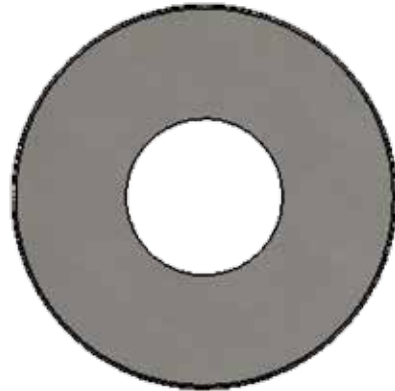
DDH-12
3/8" USS Flatwasher
QTY. 42



DDH-13
1/2" USS Flatwasher
QTY. 8



DDH-14
3/4" USS Flatwasher
QTY. 8



MEASUREMENT TAKEN FROM BOTTOM OF BOLT HEAD TO THE BOTTOM OF BOLT

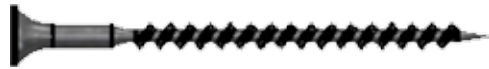


USE THE RULER TO MEASURE YOUR BOLTS AND SCREWS. HARDWARE VIEWS SHOWN ABOVE ARE 1:1 SCALE AND CAN BE USED TO MATCH HARDWARE SIZES.

DECK & RAIL HARDWARE BAGS

INSTALLER NOTE: (YOU MUST ASSEMBLE THIS PRODUCT IN ACCORDANCE WITH THESE ASSEMBLY INSTRUCTIONS. WHEN COMPLETE GIVE MANUAL TO OWNER.)

2 1/2" Coated Deck Screw



FORT PICNIC TABLE HARDWARE BAG

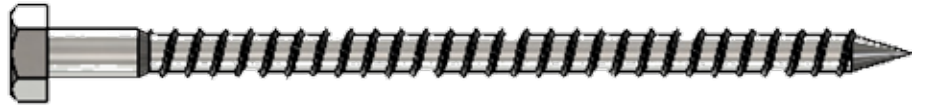
PH-1

2 1/2" Coated Deck Screw
QTY. 78



PH-2

1/4" x 4 1/2" Hex Lag Screw
QTY. 12



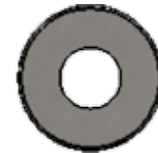
PH-3

3/8" x 3 1/2" Hex Lag Screw
QTY. 8



PH-4

1/4" USS Flatwasher
QTY. 12

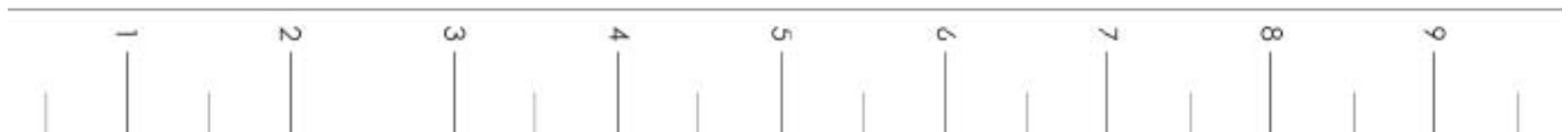


PH-5

3/8" USS Flatwasher
QTY. 8



MEASUREMENT TAKEN FROM BOTTOM OF BOLT HEAD TO THE BOTTOM OF BOLT



USE THE RULER TO MEASURE YOUR BOLTS AND SCREWS. HARDWARE VIEWS SHOWN ABOVE ARE 1:1 SCALE AND CAN BE USED TO MATCH HARDWARE SIZES.

7.0 FORT ROCKWALL HARDWARE BAG

INSTALLER NOTE: (YOU MUST ASSEMBLE THIS PRODUCT IN ACCORDANCE WITH THESE ASSEMBLY INSTRUCTIONS. WHEN COMPLETE GIVE MANUAL TO OWNER.)

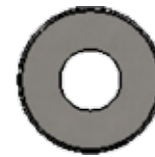
RWH-1
1/4" x 1 1/4" Pan Phillips M/S
QTY. 40



RWH-2
1/4" x 7/16" 4 Prong T-Nut
QTY. 40



RWH-3
1/4" USS Flatwasher
QTY. 40



RWH-4
3/8" x 5" Hex Lag Screw
QTY. 8



RWH-5
3/8" USS Flatwasher
QTY. 8



RWH-6
2 1/2" Coated Deck Screw
QTY. 72



MEASUREMENT TAKEN FROM BOTTOM OF BOLT HEAD TO THE BOTTOM OF BOLT



USE THE RULER TO MEASURE YOUR BOLTS AND SCREWS. HARDWARE VIEWS SHOWN ABOVE ARE 1:1 SCALE AND CAN BE USED TO MATCH HARDWARE SIZES.

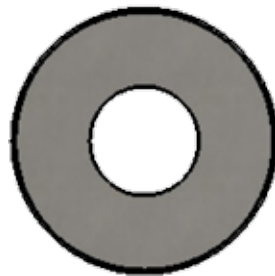
BENGAL FORT WOOD ROOF HARDWARE BAG

INSTALLER NOTE: (YOU MUST ASSEMBLE THIS PRODUCT IN ACCORDANCE WITH THESE ASSEMBLY INSTRUCTIONS. WHEN COMPLETE GIVE MANUAL TO OWNER.)

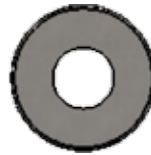
BRH-1
3/8" USS Flatwasher
QTY. 4



BRH-2
1/2" USS Flatwasher
QTY. 4



BRH-3
1/4" USS Flatwasher
QTY. 16



BRH-4
1/4" x 3" Hex Lag Screw
QTY. 16



BRH-5
1 5/8" Coated Deck Screw
QTY. 130



BRH-6
2 1/2" Coated Deck Screw
QTY. 12



BRH-8
3/8" Split Lockwasher
QTY. 4



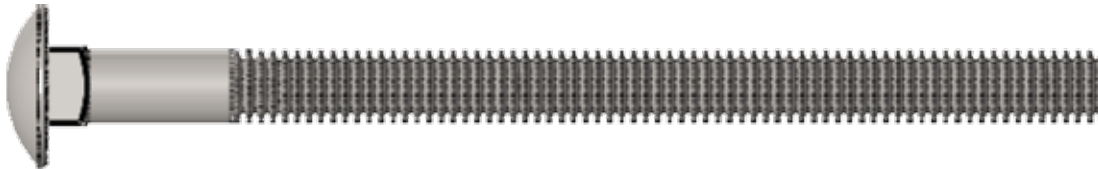
BRH-9
3/8" Hex Nut
QTY. 4



BRH-10
3/8" Acorn Nut
QTY. 4



BRH-7
3/8" x 5 1/2" Carriage Bolt
QTY. 4



MEASUREMENT TAKEN FROM BOTTOM OF BOLT HEAD TO THE BOTTOM OF BOLT



USE THE RULER TO MEASURE YOUR BOLTS AND SCREWS. HARDWARE VIEWS SHOWN ABOVE ARE 1:1 SCALE AND CAN BE USED TO MATCH HARDWARE SIZES.

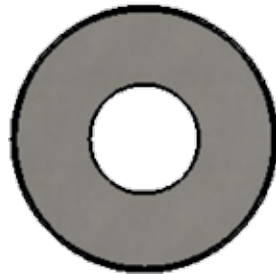
DOUBLE DECKER WOOD ROOF HARDWARE BAG

INSTALLER NOTE: (YOU MUST ASSEMBLE THIS PRODUCT IN ACCORDANCE WITH THESE ASSEMBLY INSTRUCTIONS. WHEN COMPLETE GIVE MANUAL TO OWNER.)

DWH-1
3/8" USS Flatwasher
QTY. 4



DWH-3
1/2" USS Flatwasher
QTY. 2



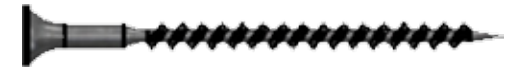
DWH-4
1/4" USS Flatwasher
QTY. 14



DWH-6
1 5/8" Coated Deck Screw
QTY. 121



DWH-7
2 1/2" Coated Deck Screw
QTY. 8



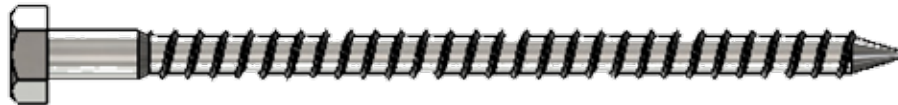
DWH-2
3/8" x 3 1/2" Hex Lag Screw
QTY. 2



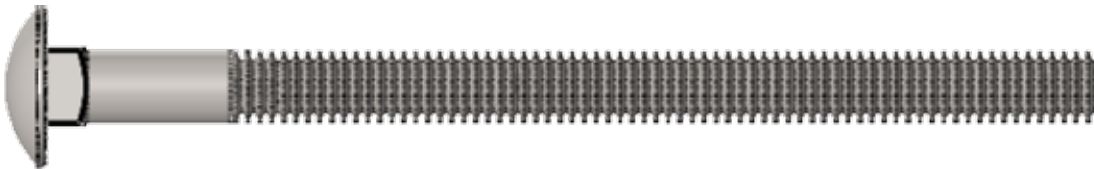
DWH-9
3/8" Split Lockwasher
QTY. 2



DWH-5
1/4 x 4 1/2" Hex Lag Screw
QTY. 14



DWH-8
3/8" x 5 1/2" Carriage Bolt
QTY. 2



DWH-10
3/8" Hex Nut
QTY. 2



DWH-11
3/8" Acorn Nut Plated
QTY. 2



MEASUREMENT TAKEN FROM BOTTOM OF BOLT HEAD TO THE BOTTOM OF BOLT



USE THE RULER TO MEASURE YOUR BOLTS AND SCREWS. HARDWARE VIEWS SHOWN ABOVE ARE 1:1 SCALE AND CAN BE USED TO MATCH HARDWARE SIZES.

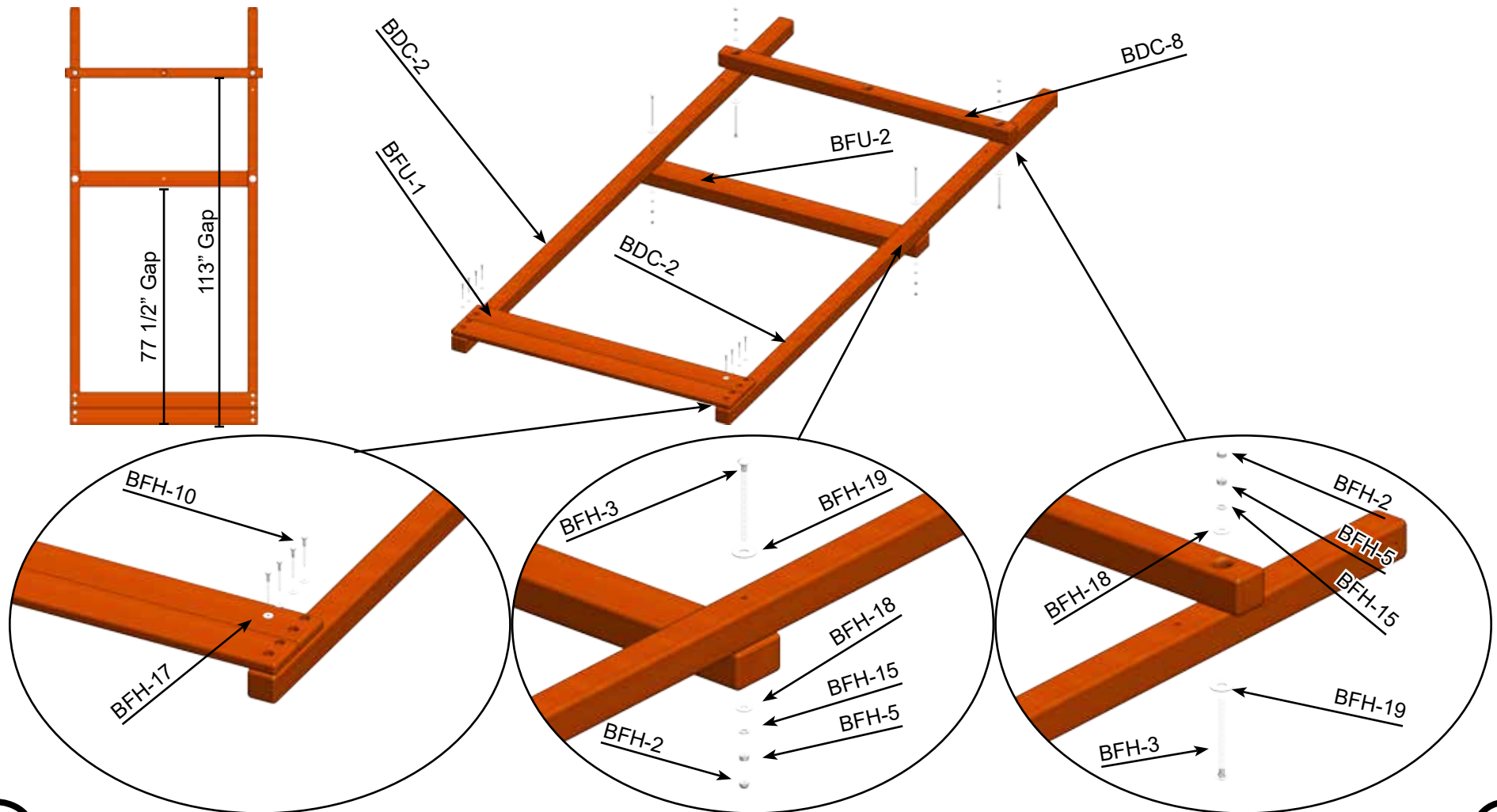
Rockwall Side Wall Assembly

PARTS NEEDED

- BDC-2- 136" Fort Corner Post- (2)
- BDC-8- Uni. Fort Top Joist- (1)
- BFU-1- Uni. Fort 4-Hole Facia- (2)
- BFU-2- Uni. Fort Mainbeam- (1)

HARDWARE NEEDED

- | | |
|--|------------------------------------|
| BFH-10- 3/8" x 3 1/2" Hex Lag Screw- (8) | BFH-17- 3/8" USS Flatwasher- (8) |
| BFH-3- 1/2" x 7" Carriage Bolt- (4) | BFH-19- 3/4" USS Flatwasher- (4) |
| BFH-18- 1/2" USS Flatwasher- (4) | BFH-15- 1/2" Split Lockwasher- (4) |
| BFH-5- 1/2" Hex Nut- (4) | BFH-2- 1/2" Acorn Nut Plated- (4) |



Rockwall Side Wall Assembly

PARTS NEEDED

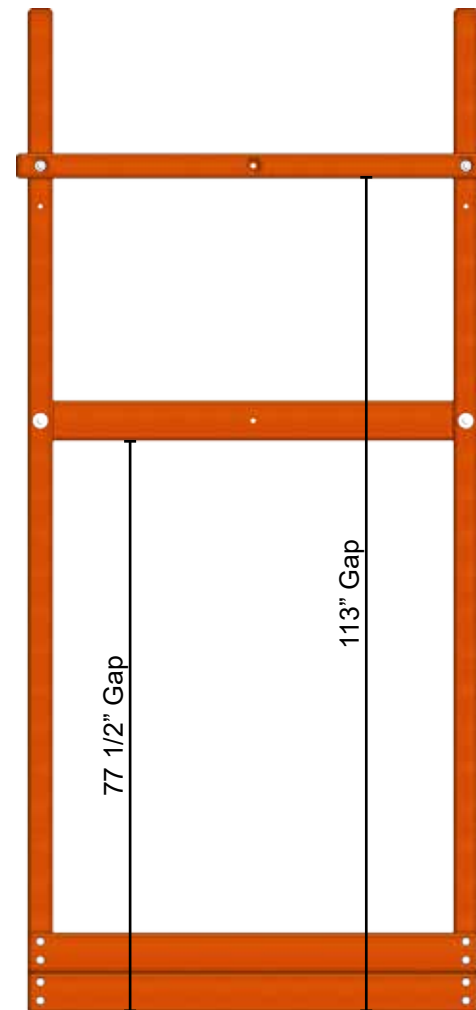
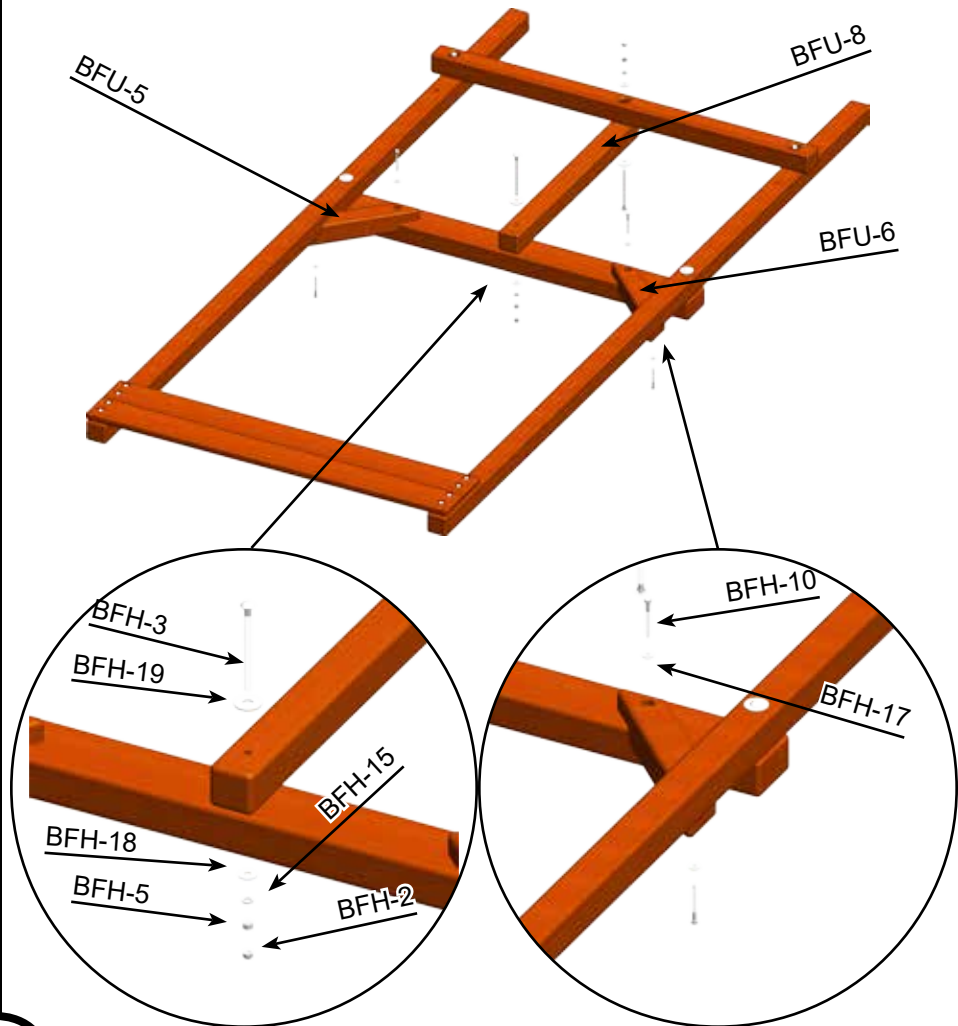
BFU-5- Left Gusset Bracket- (1)
 BFU-6- Right Gusset Bracket- (1)
 BFU-8- Uni. Fort Center Upright- (1)

BFH-3- 1/2" x 7" Carriage Bolt- (2)
 BFH-18- 1/2" USS Flatwasher- (2)
 BFH-5- 1/2" Hex Nut- (1)

SB Side Wall Assembly

HARDWARE NEEDED

(2) BFH-19- 3/4" USS Flatwasher- (2)
 (2) BFH-15- 1/2" Split Lockwasher- (2)
 (2) BFH-2- 1/2" Acorn Nut- (2)



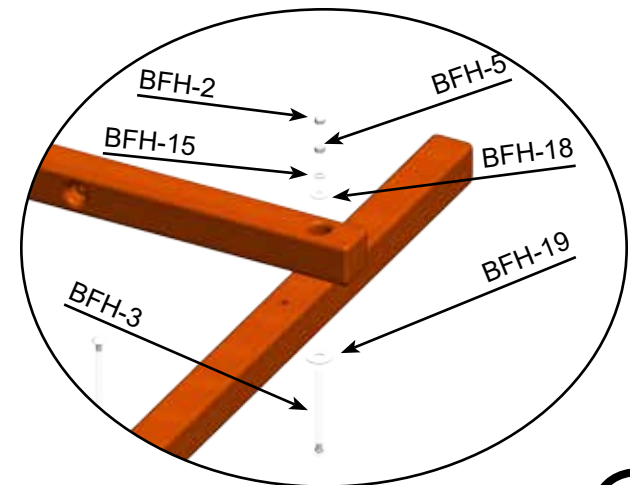
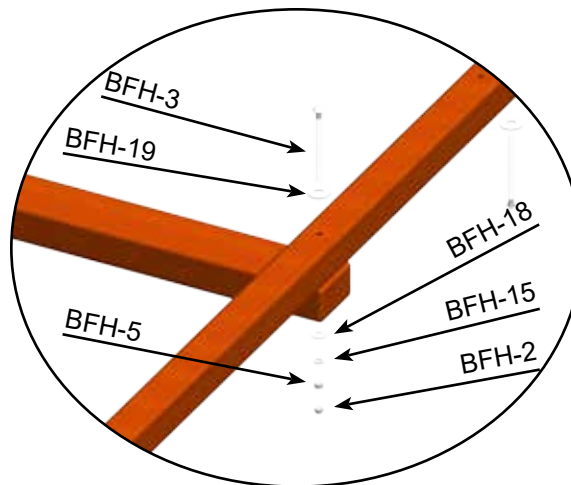
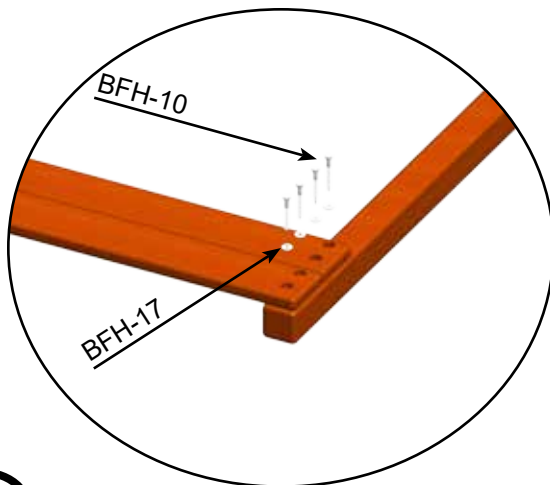
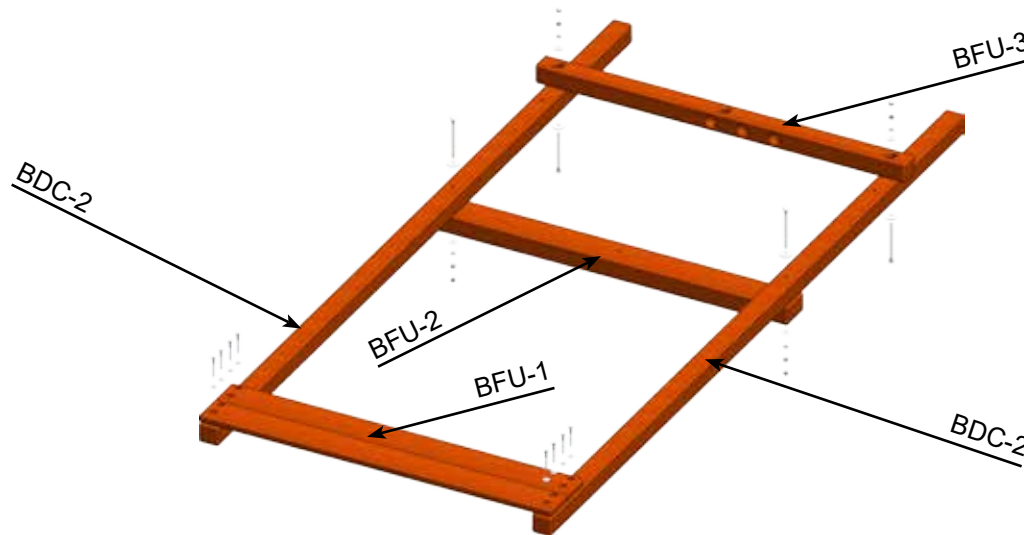
SB Side Wall Assembly

PARTS NEEDED

BDC-2- 136" Fort Corner Post- (2)
 BFU-1- UNI. Fort 4- Hole Facia- (2)
 BFU-2- Uni. Fort Mainbeam- (1)
 BFU-3- Uni. Fort Top Joist Swingbeam- (1)

HARDWARE NEEDED

BFH-10- 3/8" x 3 1/2" Hex Lag Screw- (8)
 BFH-3- 1/2" x 7" Carriage Bolt- (4)
 BFH-18- 1/2" USS Flatwasher- (4)
 BFH-5- 1/2" Hex Nut- (4)
 BFH-17- 3/8" USS Flatwasher- (8)
 BFH-19- 3/4" USS Flatwasher- (4)
 BFH-15- 1/2" Split Lockwasher- (4)
 BFH-2- 1/2" Acorn Nut Plated- (4)



SB Side Wall Assembly

PARTS NEEDED

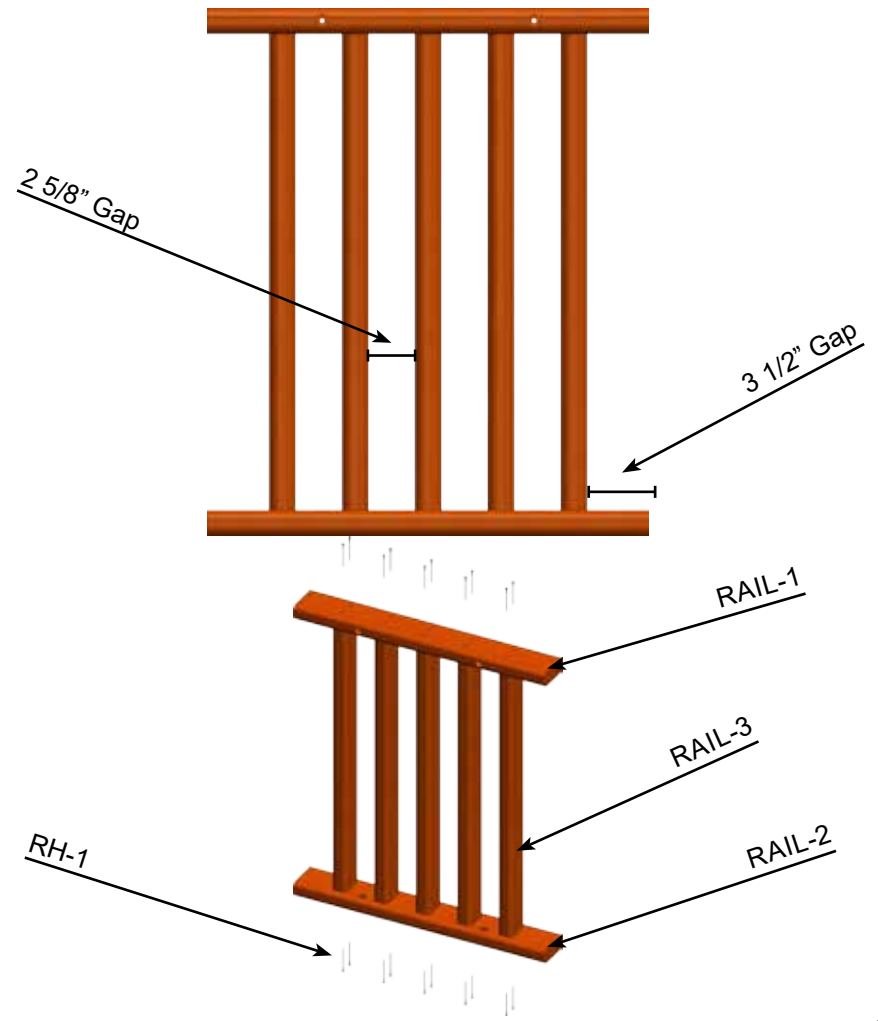
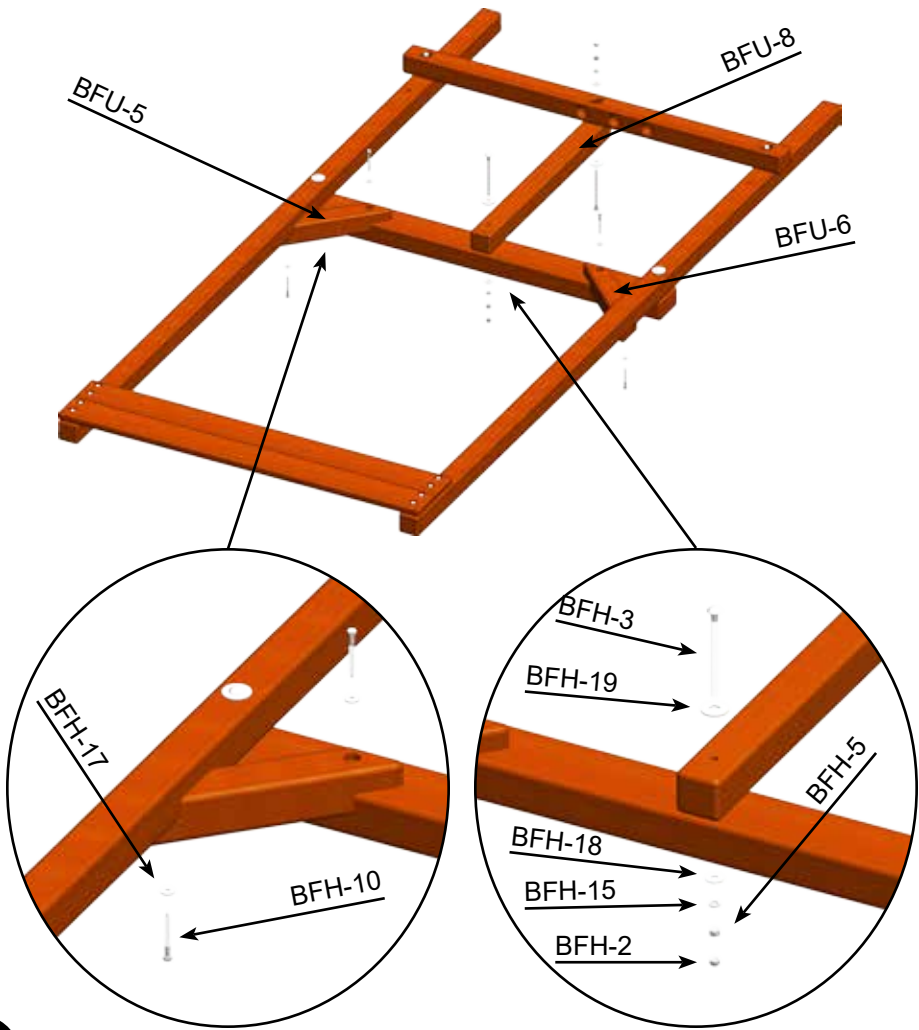
- BFU-5- Left Gusset Bracket- (1)
- BFU-6- Right Gussets Bracket- (1)
- BFU-8- Fort Center Upright- (1)
- RAIL-1- Uni. Rail Top- (1)
- RAIL-2- Uni. Rail Bottom- (1)
- RAIL-3- Uni. Rail Spindle- (5)

- BFH-17- 3/8" USS Flatwasher- (4)
- BFH-3- 1/2" x 7" Carriage Bolt- (2)
- BFH-18- 1/2" USS Flatwasher- (2)
- BFH-5- 1/2" Hex Nut- (2)
- RH-1- 2 1/2" Coated Deck Screw- (5)

Uni. Rail assembly (Count Per Rail)

HARDWARE NEEDED

- BFH-10- 3/8" x 3 1/2" Hex Lag Screw- (4)
- BFH-19- 3/4" USS Flatwasher- (2)
- BFH-15- 1/2" Split Lockwasher- (2)
- BFH-2- 1/2" Acorn Nut- (2)



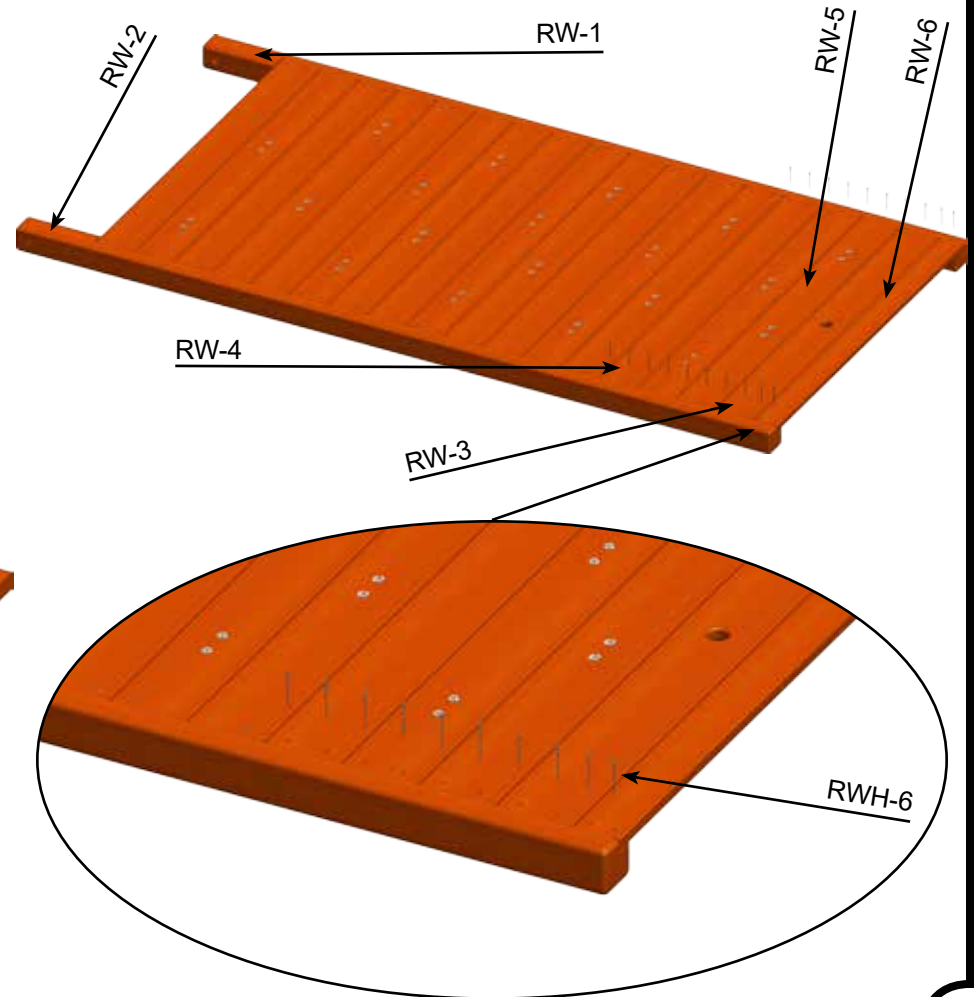
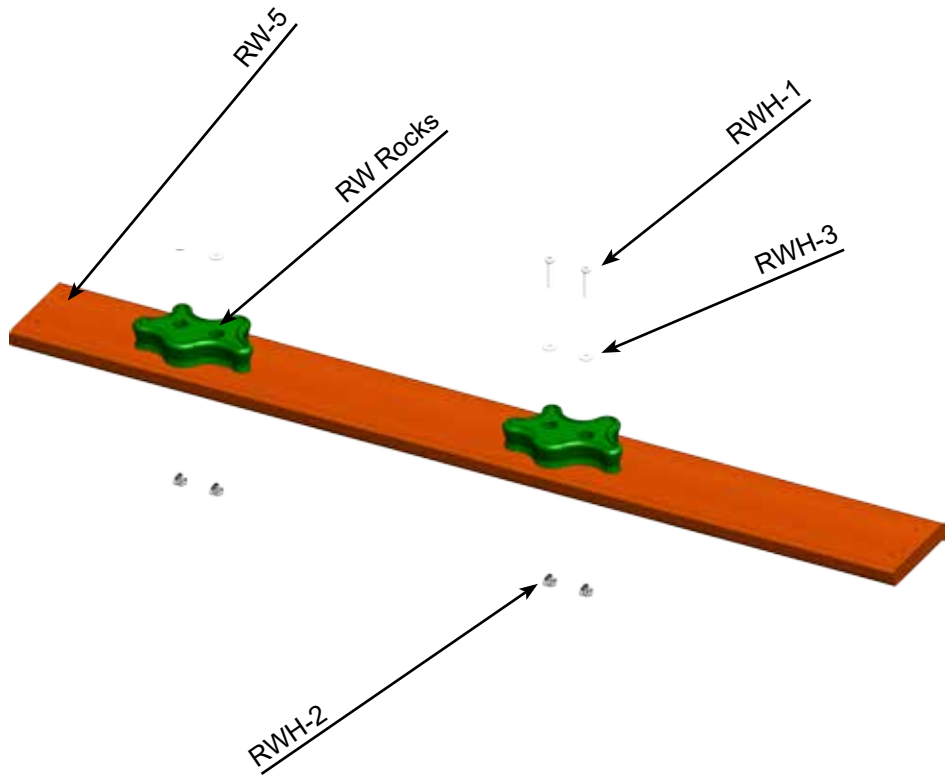
Rockwall Assembly

PARTS NEEDED

RW-1- 107 1/2" Fort Left RW Ladder Leg-	(1)
RW-2- 107 1/2" Fort Right RW Ladder Leg-	(1)
RW-3- Uni. Fort RW Board w/ Rope Hole-	(1)
RW-4- Uni. Fort RW Board Blank-	(6)
RW-5- Uni. Fort RW Board w/ Rock Holes-	(10)
RW-6- Uni. Fort RW Board-Slim-	(1)

HARDWARE NEEDED

RWH-1- 1/4" x 1 1/4" Pan Phillips M/S-	(40)
RWH-2- 1/4" x 7/16" 4 PRong T-Nut-	(40)
RWH-3- 1/4" USS Flatwasher-	(40)
RWH-6- 2 1/2" Coated Deck Screw-	(72)
Rockwall Rocks-	(20)



Universal Deck Assembly

PARTS NEEDED

- UDB-1- Small Deck Board- (16)
- UDB-3- Universal Deck Runner- (8)
- PIC-1- Uni. Deck Board- Slim- (2)
- PIC-7- Uni. Fort Seat Runner No Holes- (2)

- UDB-2- Large Deck Board- (12)
- UDB-4- Universal Deck Support- (4)
- PIC-6- Uni. Fort Picnic Seat Runner- (4)
- PIC-8- Uni. Fort Picnic Table- Wide- (4)

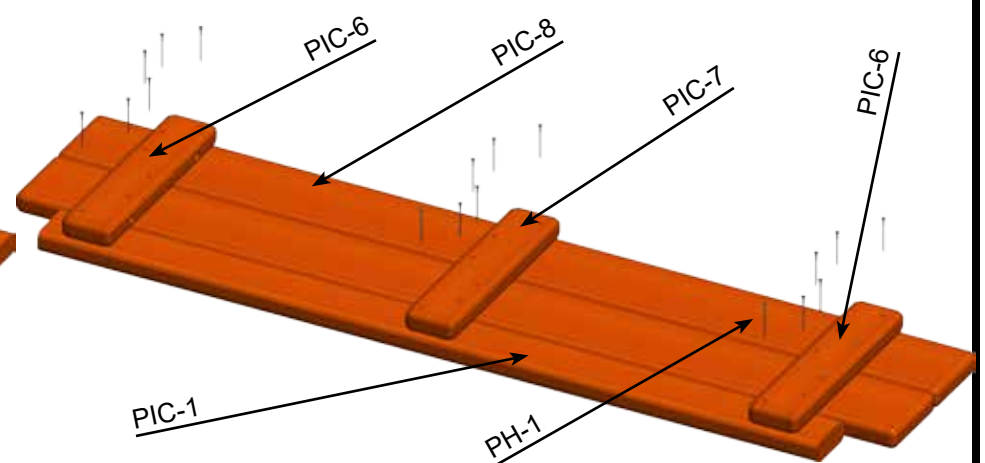
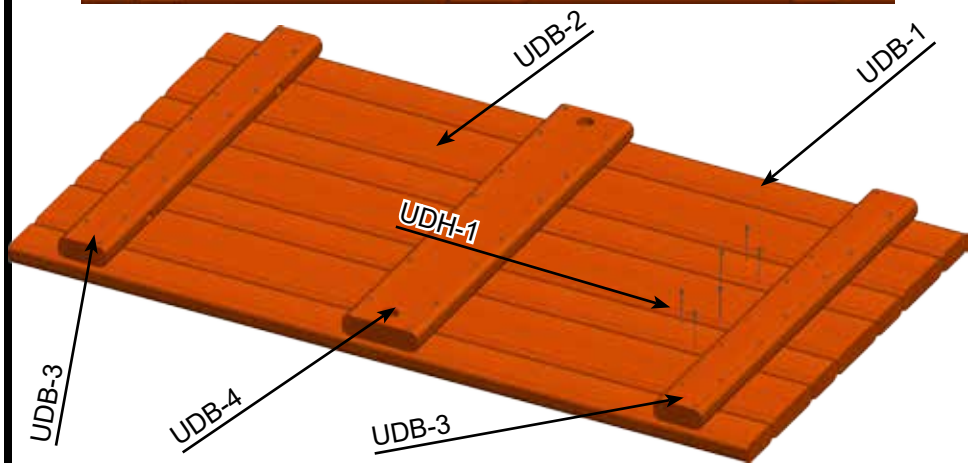
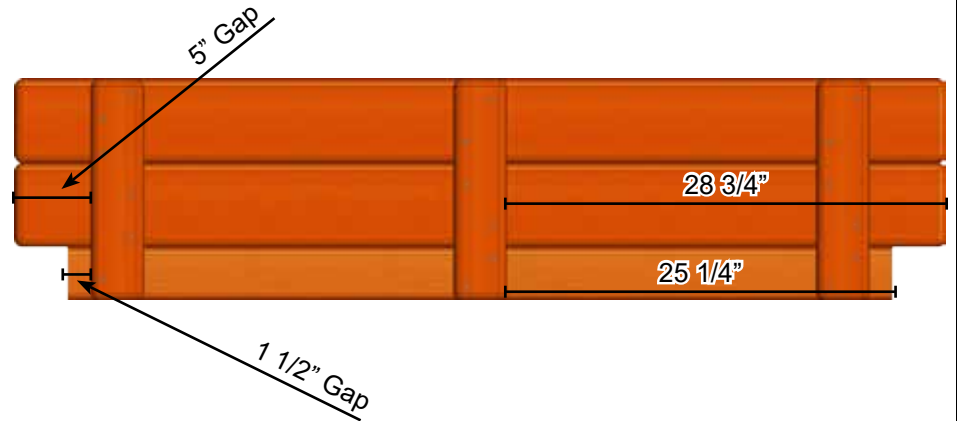
HARDWARE NEEDED

- PH-1- 2 1/2" Coated Deck Screw- (36)
- UDH-1- 2 1/2" Coated Deck Screw- (84)

Make 4 of these



Make 2 of these



Picnic Table Assembly

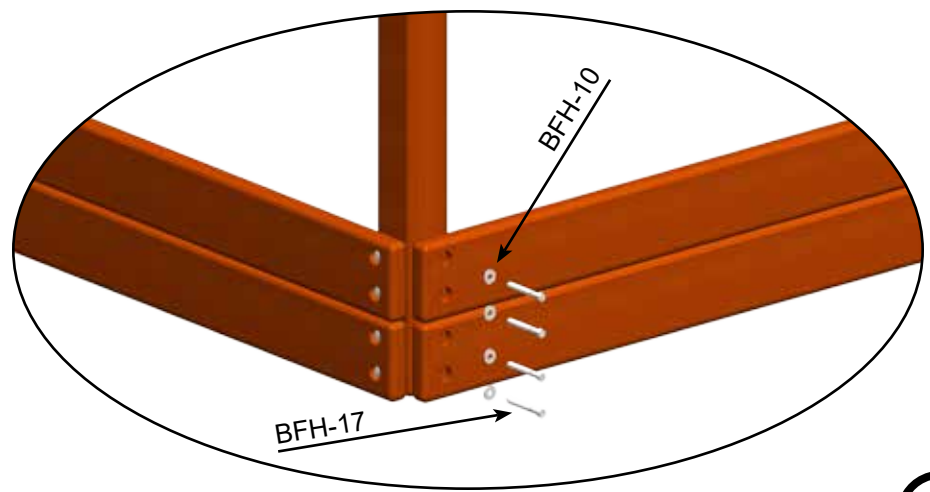
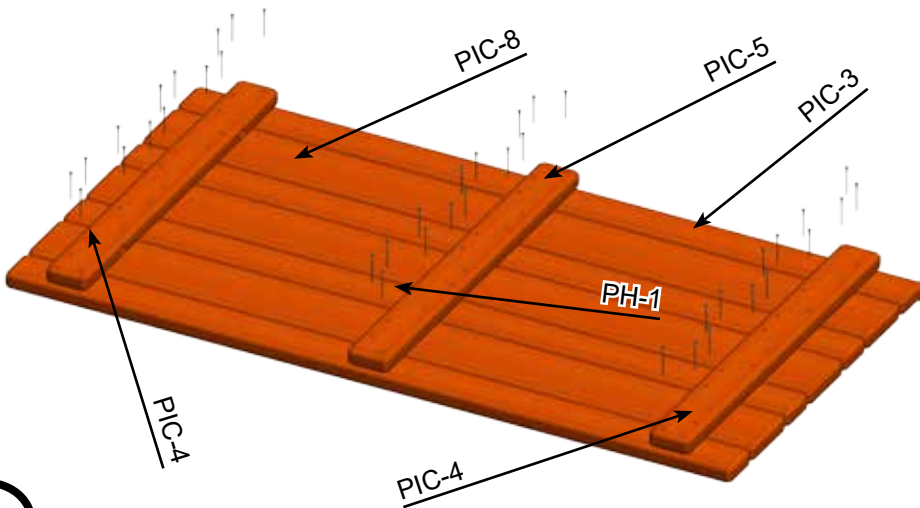
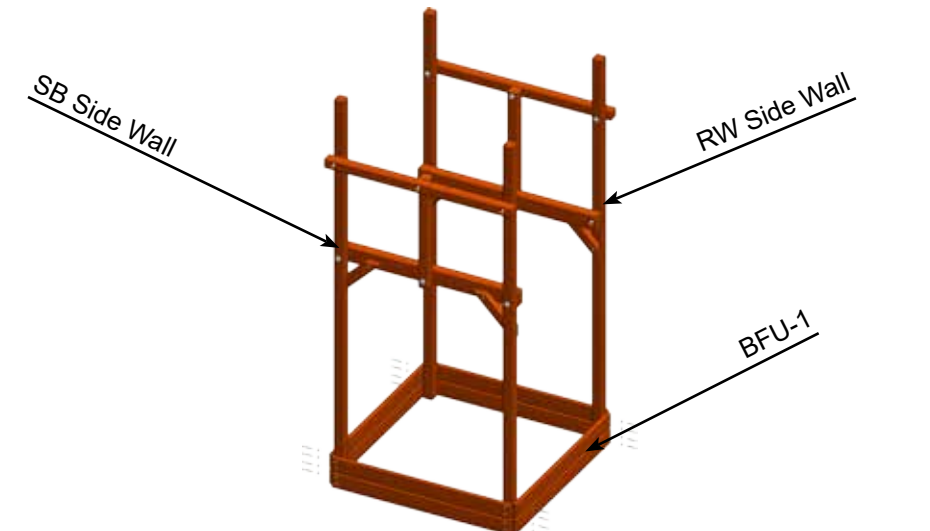
PARTS NEEDED

- PIC-3- Uni. Fort Picnic Tabel Board- (4)
- PIC-4- Uni. Fort Picnic Table Runner- (2)
- PIC-5- Uni. Fort Picnic Table Runner No Holes- (1)
- PIC-8- Uni. Fort Picnic Table Board-Wide- (3)
- BFU-1- Uni. Fort 4-Hole Facia- (4)

Bengal Main Assembly

HARDWARE NEEDED

- PH-1- 2 1/2" Coated Deck Screw- (45)
- BFH-10- 3/8" x 3 1/2" Hex Lag Screw- (16)
- BFH-17- 3/8" USS Flatwasher- (16)



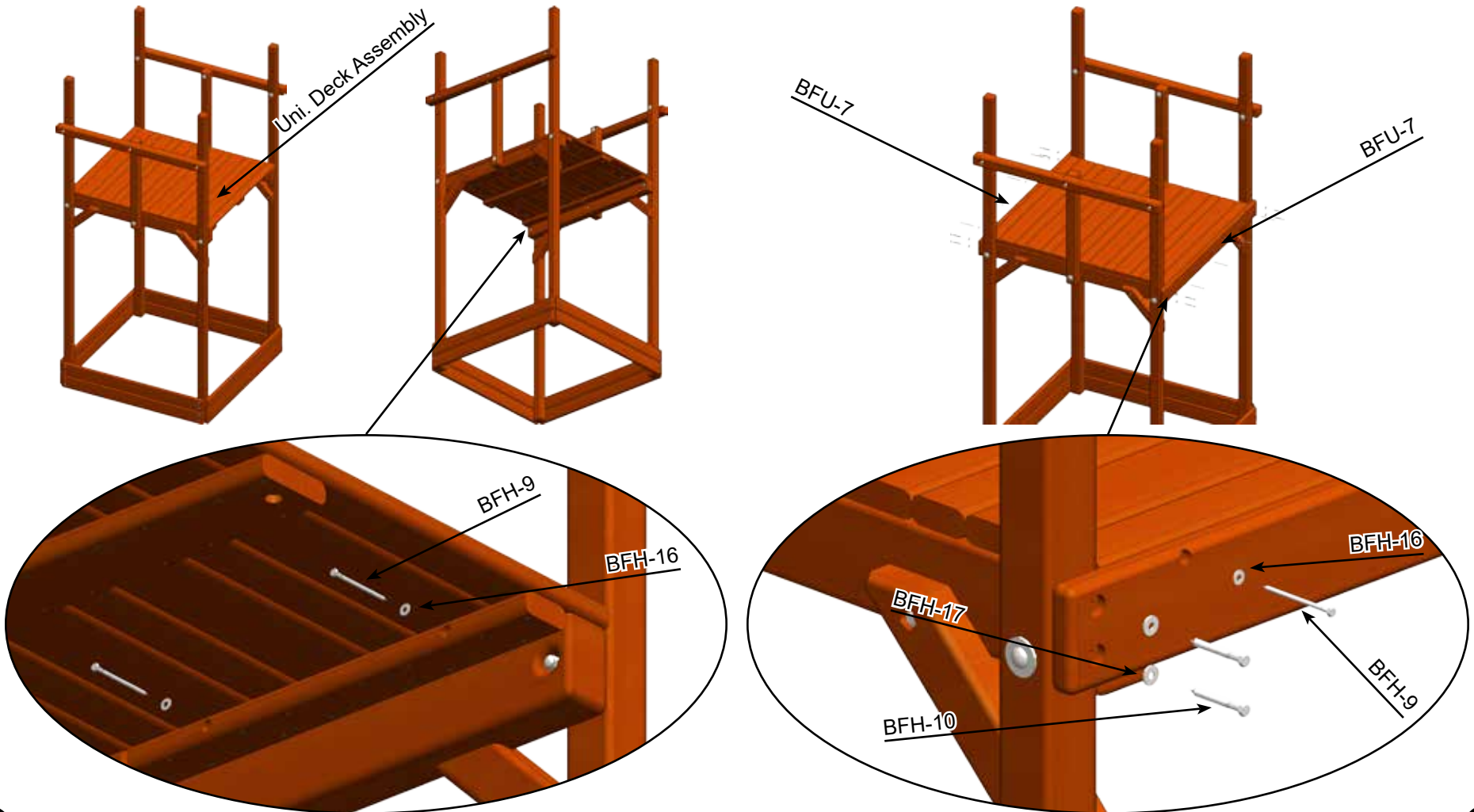
Bengal Main Assembly

PARTS NEEDED

Uni. Deck Assembly- (2)
BFU-7- Uni. Fort 8-Hole Facia- (2)

HARDWARE NEEDED

BFH-9- 1/4" x 4 1/2" Hex Lag Screw- (16)
BFH-16- 1/4" USS Flatwasher- (16)
BFH-10- 3/8" x 3 1/2" Hex Lag Screw- (8)
BFH-17- 3/8" USS Flatwasher- (8)



Bengal Main Assembly

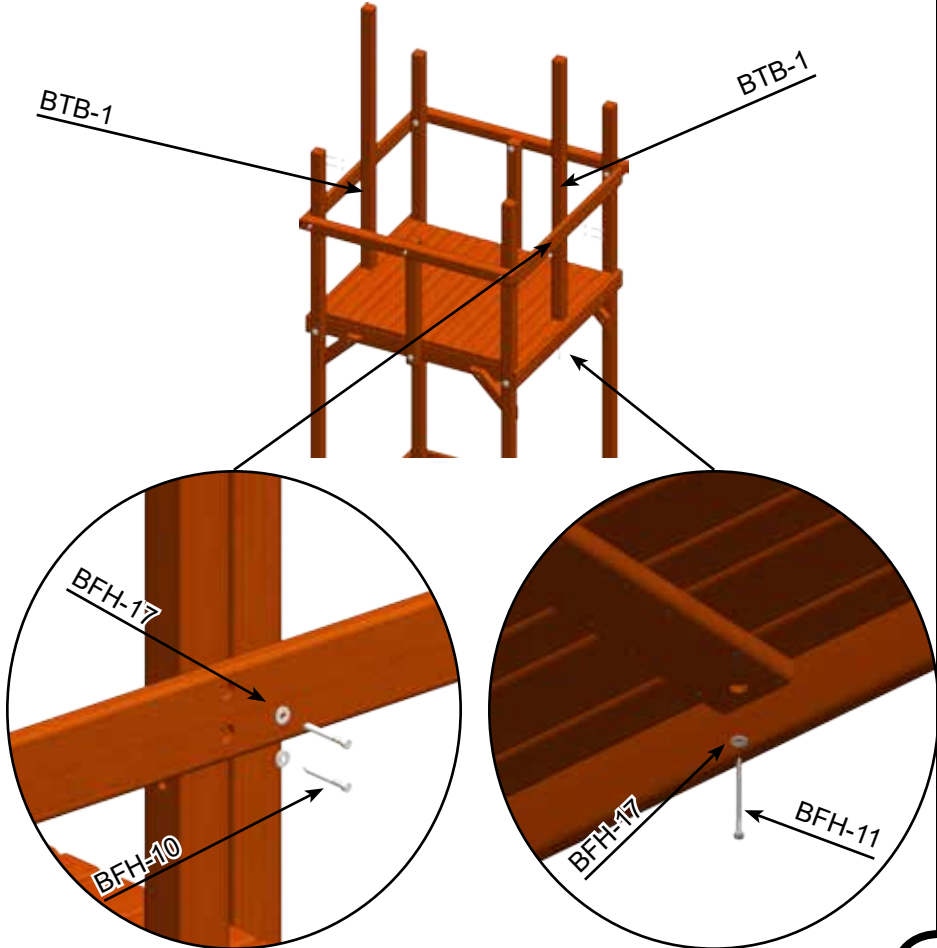
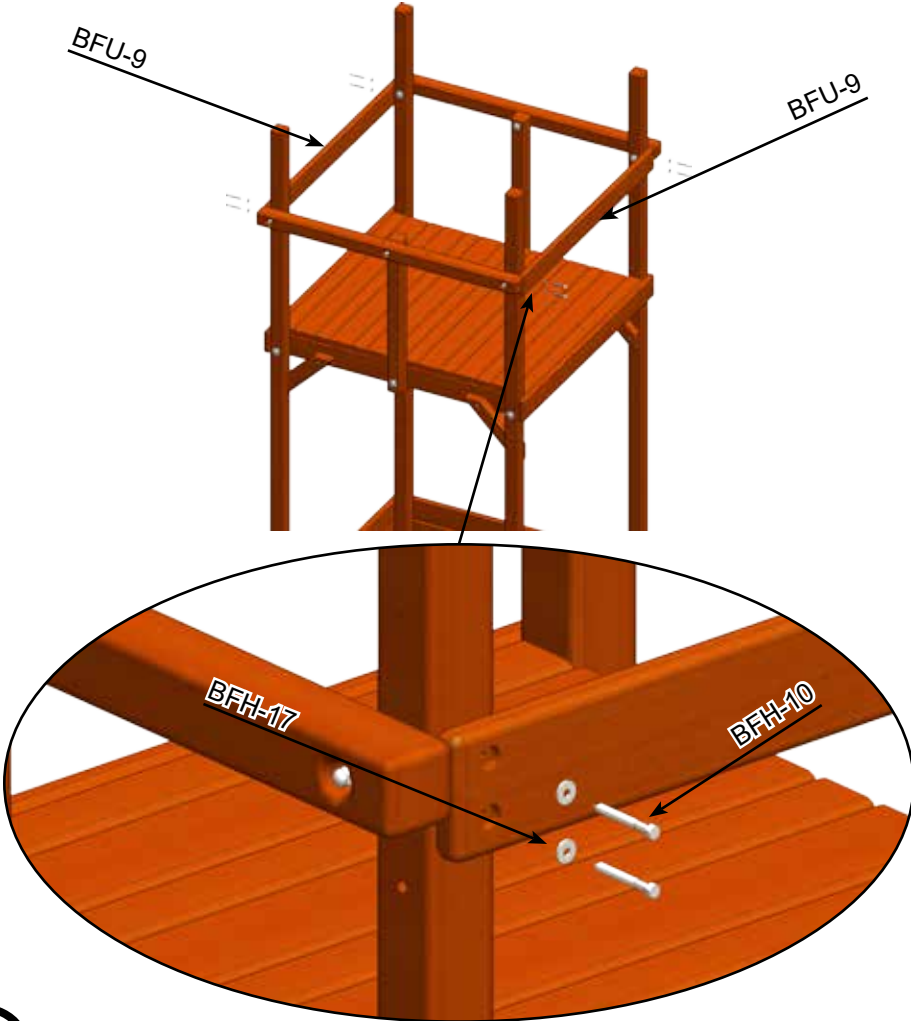
PARTS NEEDED

- BFU-9- Universal 6 Hole Facia- (2)
- BTB-1- Universal Fort Tarp Center Post- (2)

HARDWARE NEEDED

- BFH-17- 3/8" USS Flatwasher- (14)
- BFH-10- 3/8" x 3 1/2" Hex Lag Screw- (12)
- BFH-11- 3/8" x 5" Hex Lag Screw- (2)

Skip Step if you have a Wood Roof



Bengal Fort Wood Roof

PARTS NEEDED

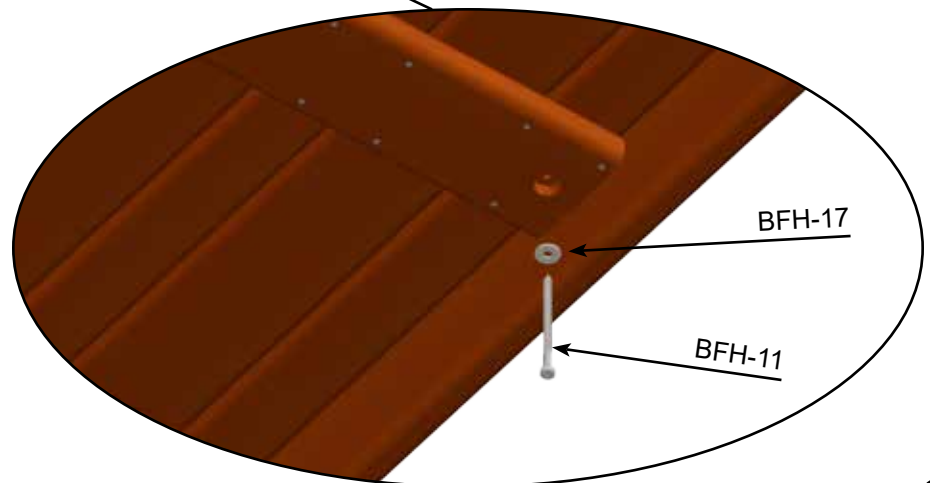
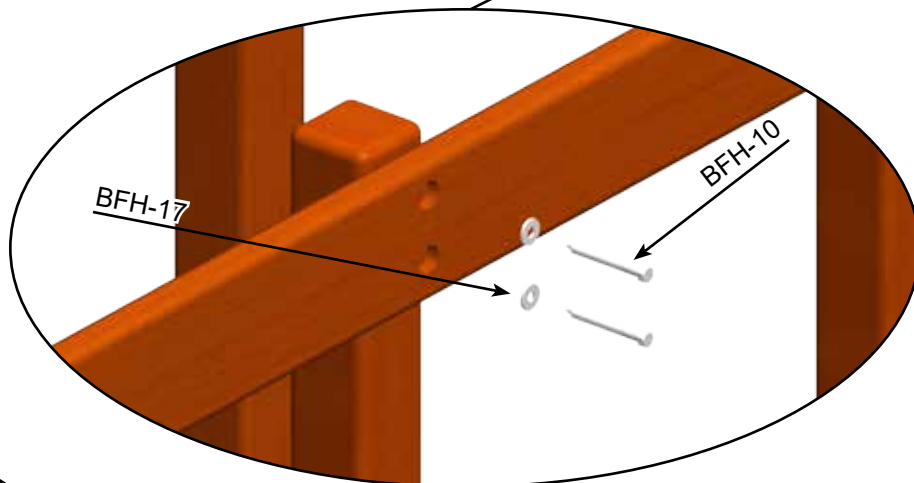
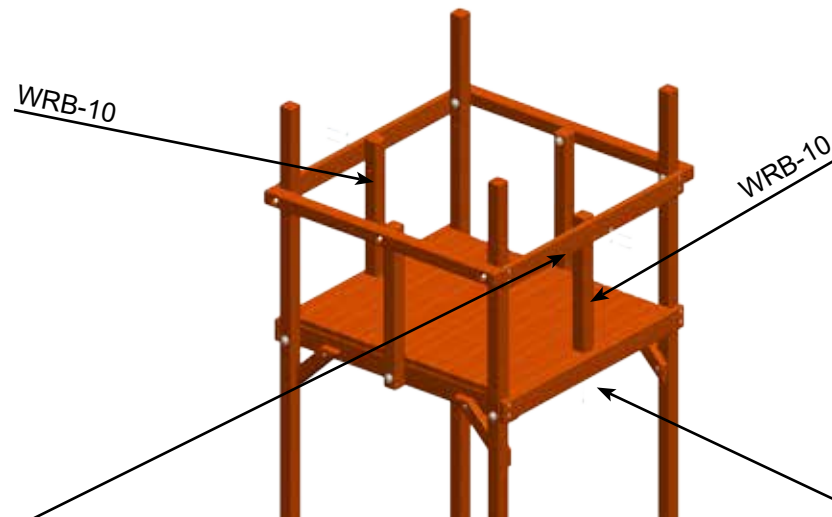
WRB-10- Uni. Fort Wood Roof Center Post- (2)

HARDWARE NEEDED

BFH-17- 3/8" USS Flatwasher- (6)

BFH-10- 3/8" x 3 1/2" Hex Lag Screw- (4)

BFH-11- 3/8" x 5" Hex Lag Screw- (2)



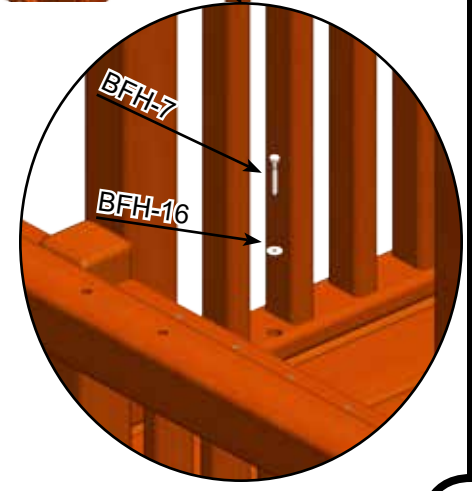
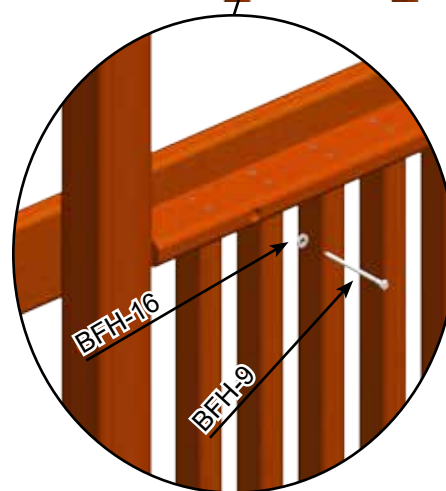
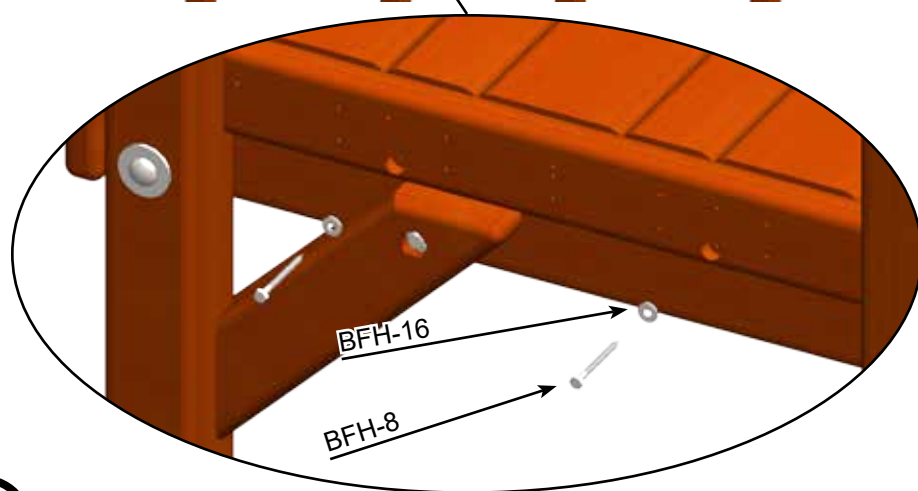
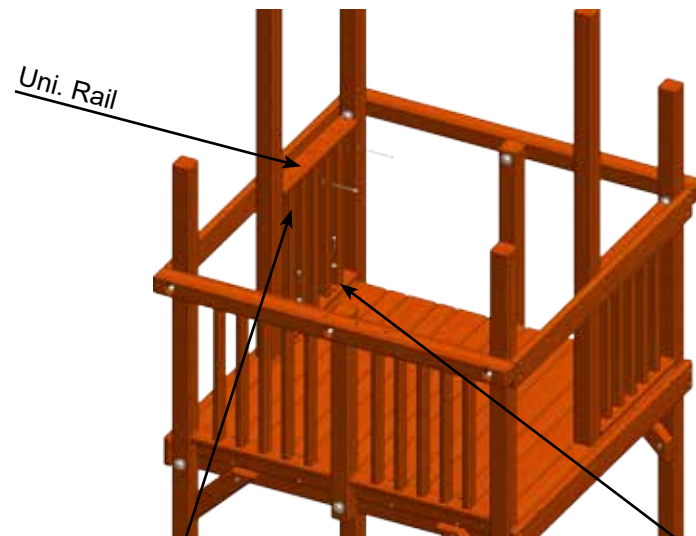
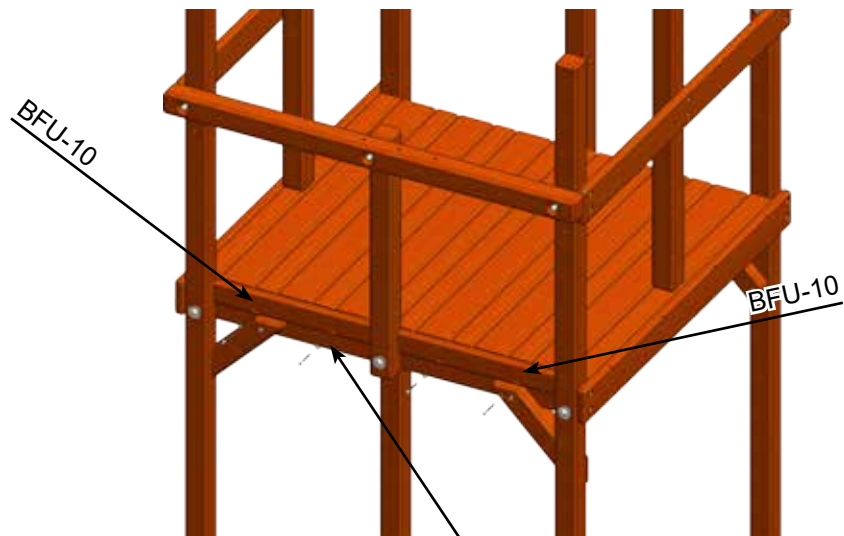
Bengal Main Assembly

PARTS NEEDED

BFU-10- Universal Rail Bottom- (2)
Universal Rail- (4)

HARDWARE NEEDED

BFH-8- 1/4" x 3" Hex Lag Screw- (4)
BFH-9- 1/4" x 4 1/2" Hex Lag Screw- (8)
BFH-7- 1/4" x 2" Hex Lag Screw- (8)
BFH-16- 1/4" USS Flatwasher- (12)



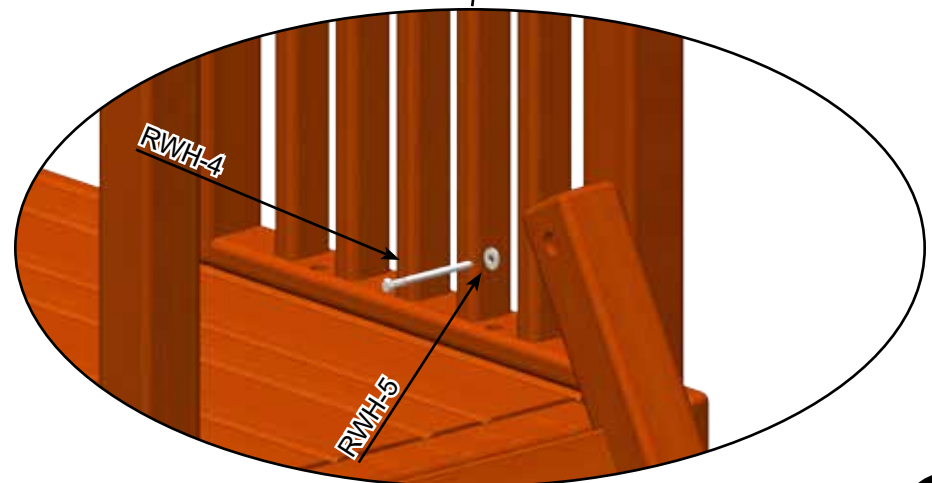
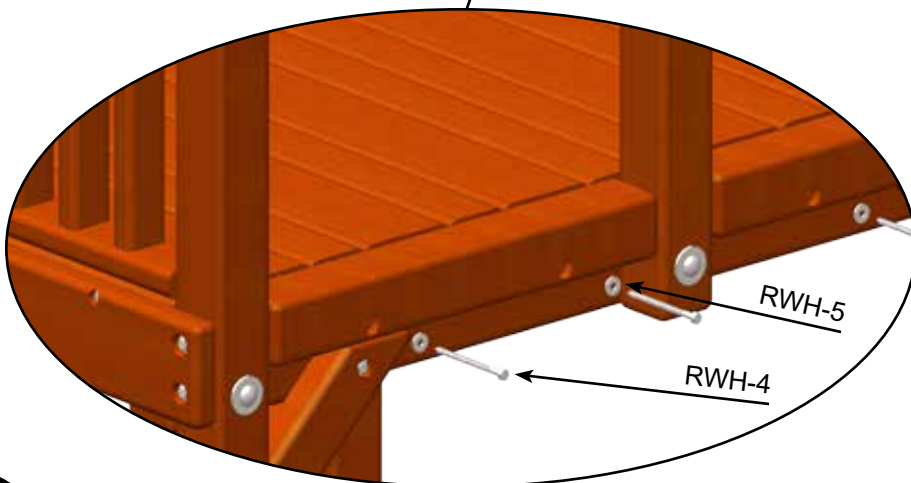
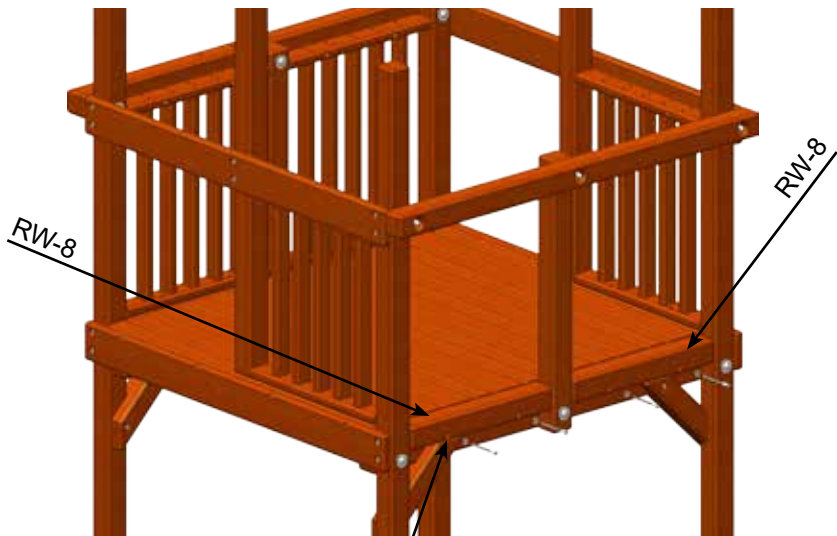
Bengal Main Assembly

PARTS NEEDED

RW-8- Universal Entrapment Block- (2)
Rockwall Assembly- (1)

HARDWARE NEEDED

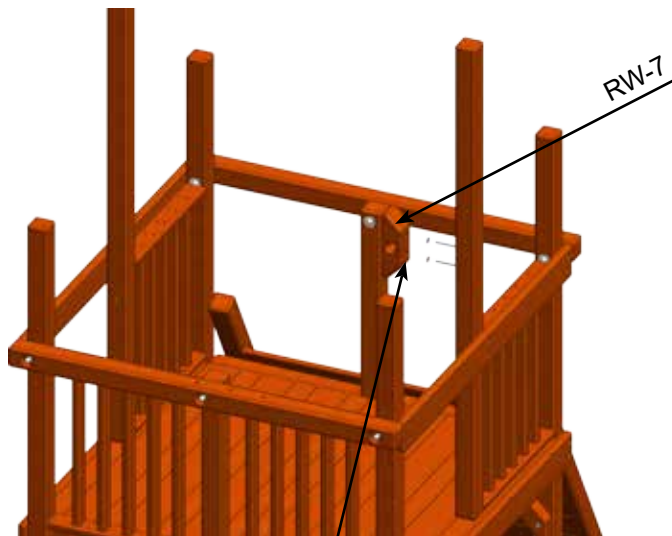
RWH-4- 3/8" x 5" Hex Lag Screw- (6)
RWH-5- 3/8" USS Flatwasher- (6)



Bengal Main Assembly

PARTS NEEDED

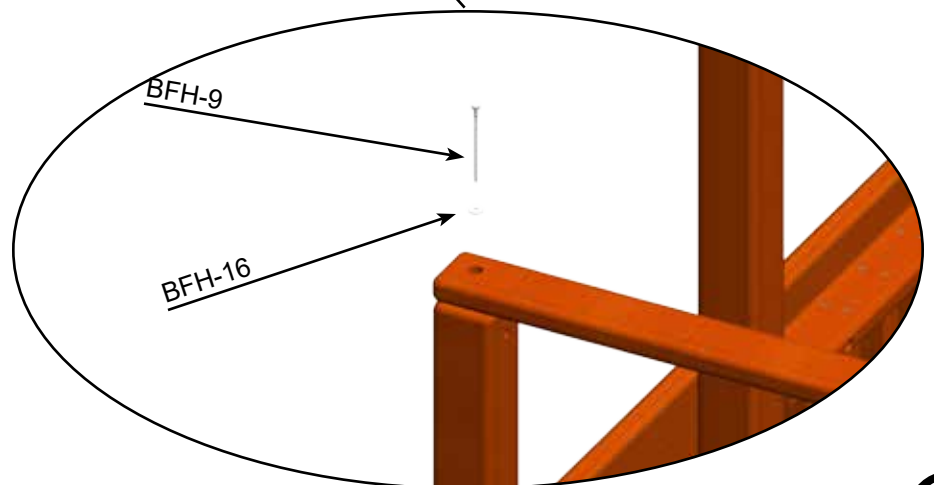
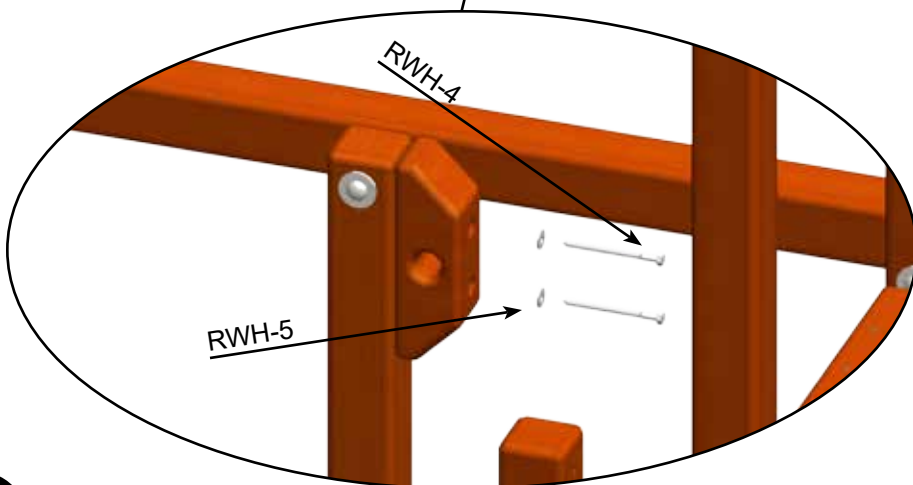
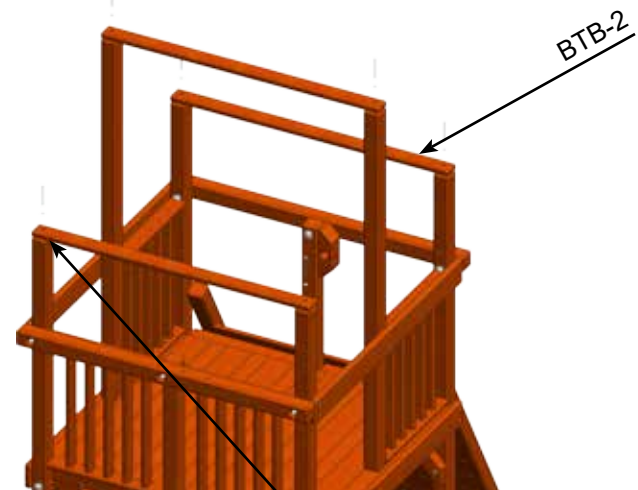
- RW-7- Universal Rope Block- (1)
- BTB-2- Universal Tarp Board- (3)



Bengal Tarp Assembly

HARDWARE NEEDED

- RWH-4- 3/8" x 5" Hex Lag Screw- (2)
- RWH-5- 3/8" USS Flatwasher- (2)
- BFH-9- 1/4" x 4 1/2" Hex Lag Screw- (6)
- BFH-16- 1/4" USS Flatwasher- (6)

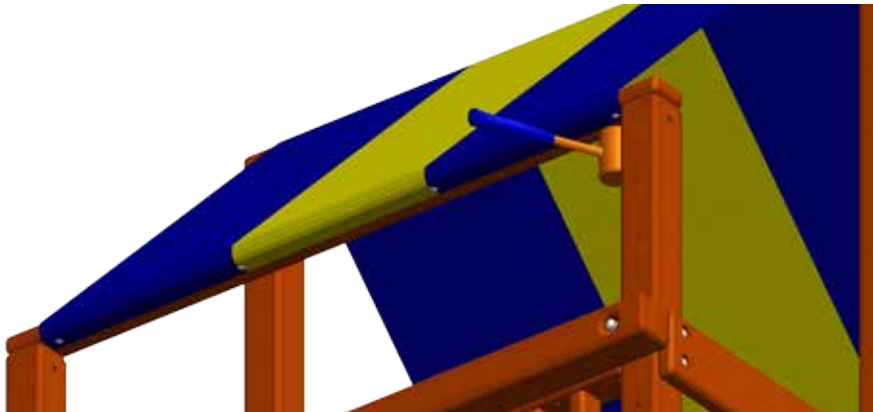


Tarp Installation

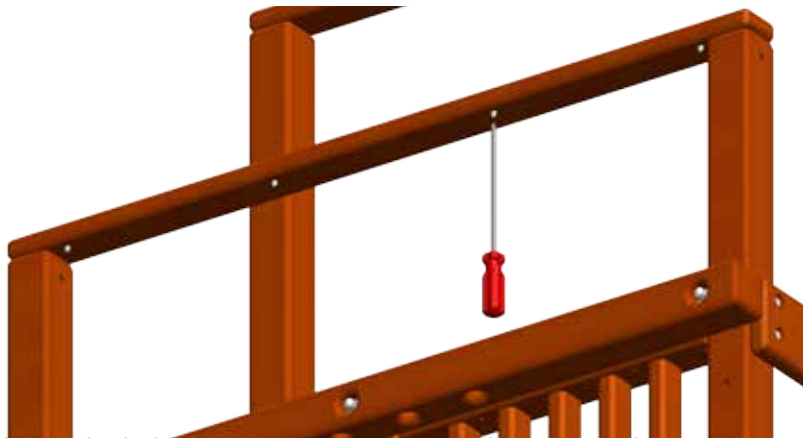
HARDWARE NEEDED

Tarp Snaps with Tarp-

(8)



Take one corner of the VINYL TARP and place it flush in the corner. Tap the snap with a blunt object, leaving an indentation of the snap in the wood. Repeat this process until all the snaps have been indented in the wood on both side.



Using the indentions you just made with the snaps, take the 5/8" PHILLIPS SCREW SNAPS and drill one into each indention



Take the corner of the VINYL TARP and start placing the snaps on the PHILLIPS SCREW SNAPS. Fold the VINYL TARP over the top of the UNIVERSAL TARP BOARD. Pull tight and place the snaps on the PHILLIPS SCREW SNAPS.

Bengal Fort Wood Roof

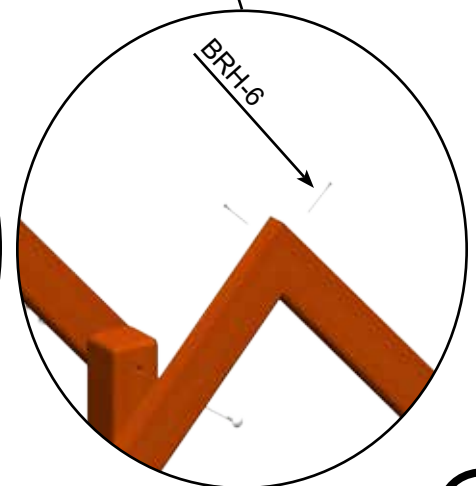
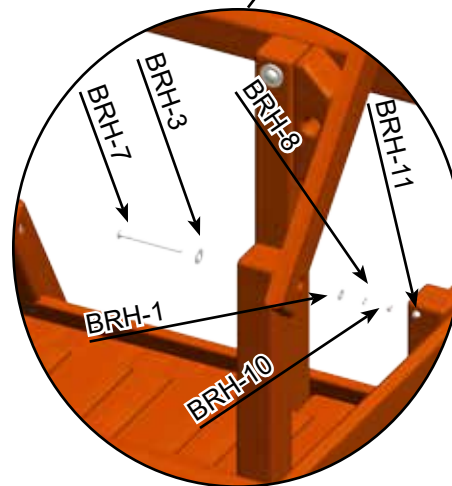
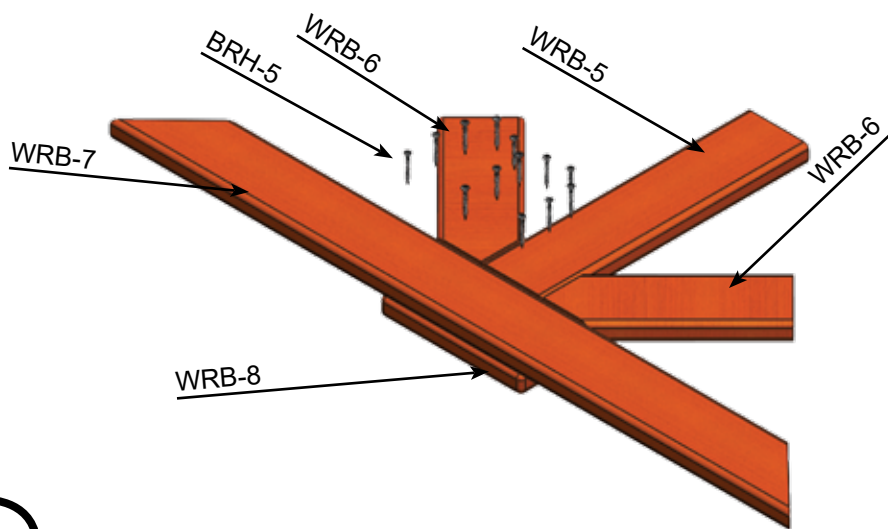
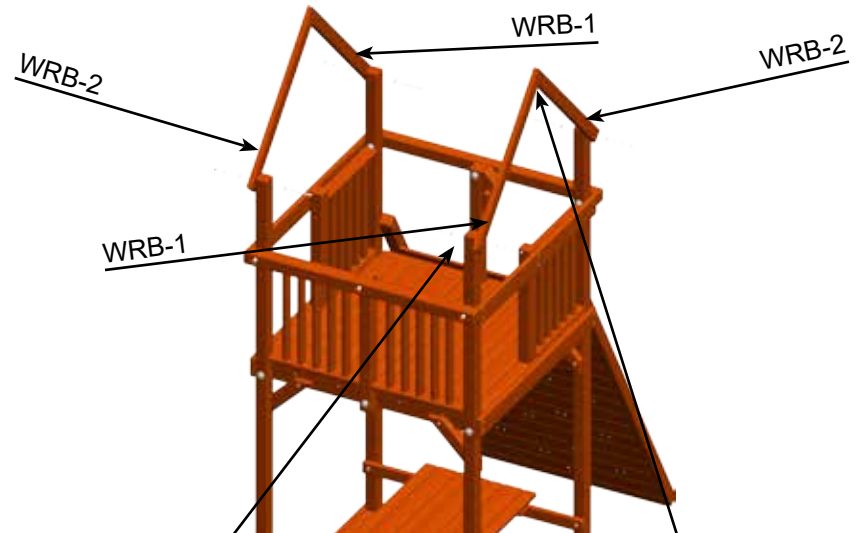
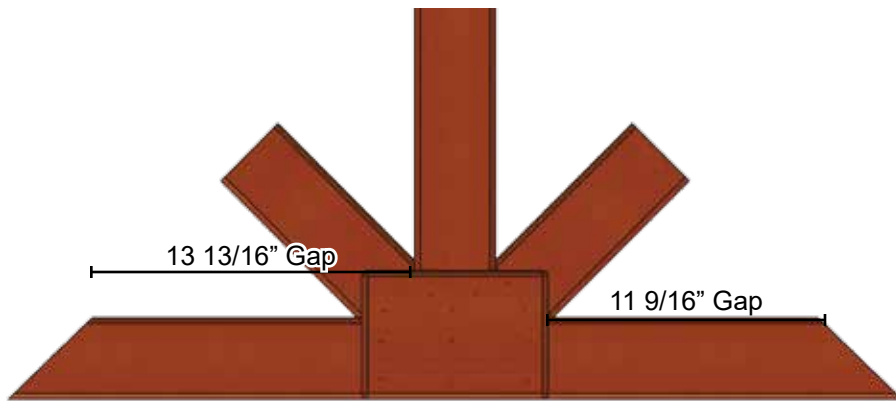
PARTS NEEDED

- WRB-5- Ben Fort Fan Board #1- (4)
- WRB-6- Ben Fort Fan Board #2- (8)
- WRB-7- Ben Fort Fan Board #3- (4)
- WRB-8- Ben Fort Fan Board #4- (4)
- WRB-1- Bengal Fort WR Support (R)- (2)
- WRB-2- Bengal Fort WR Support (L)- (2)

HARDWARE NEEDED

- BRH-5- 1 5/8" Coated Deck Screw- (48)
- BRH-7- 3/8" x 5 1/2" Carriage Bolt- (4)
- BRH-3- 1/2" USS Flatwasher- (4)
- BRH-1- 3/8" USS Flatwasher- (4)
- BRH-8- 3/8" Split Lockwasher- (4)
- BRH-10- 3/8" Hex Nut- (4)
- BRH-11- 3/8" Acorn Nut Plated- (4)

Make 4 of these for both Wood Roofs



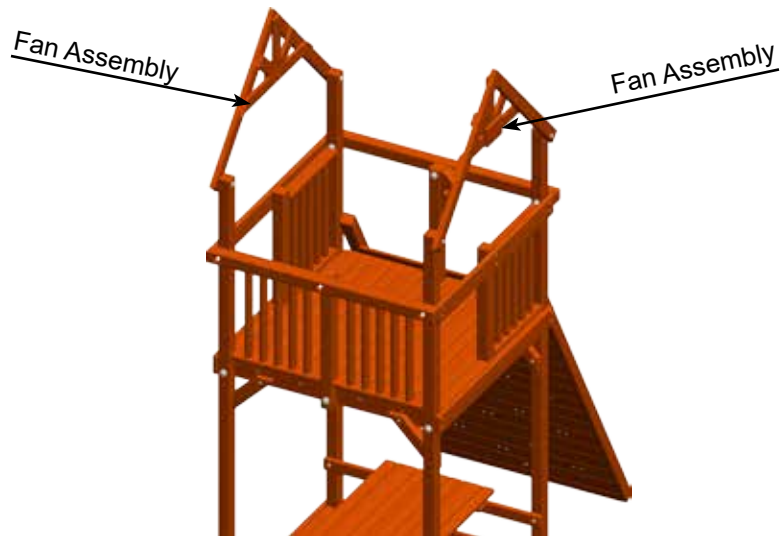
Bengal Fort Wood Roof

PARTS NEEDED

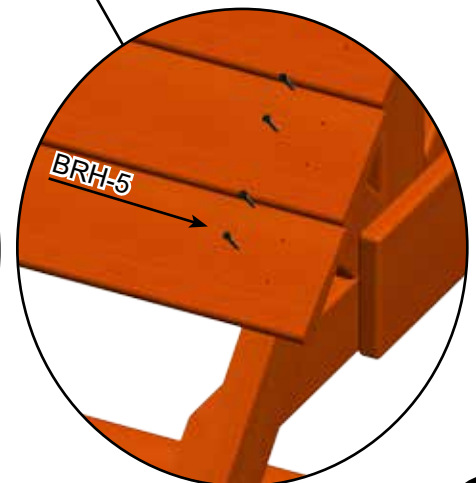
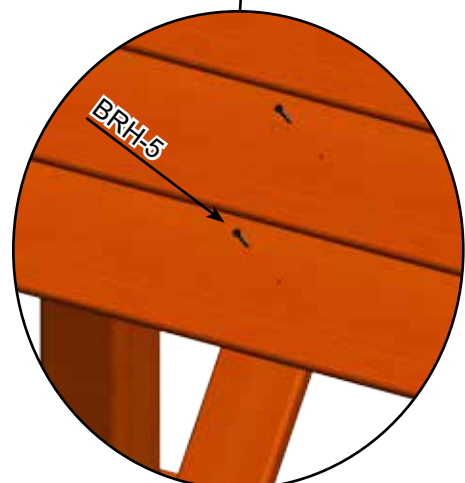
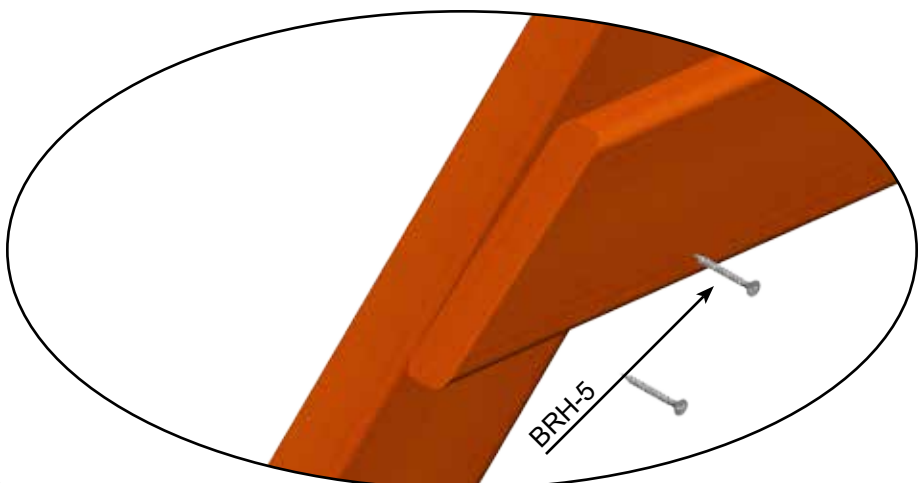
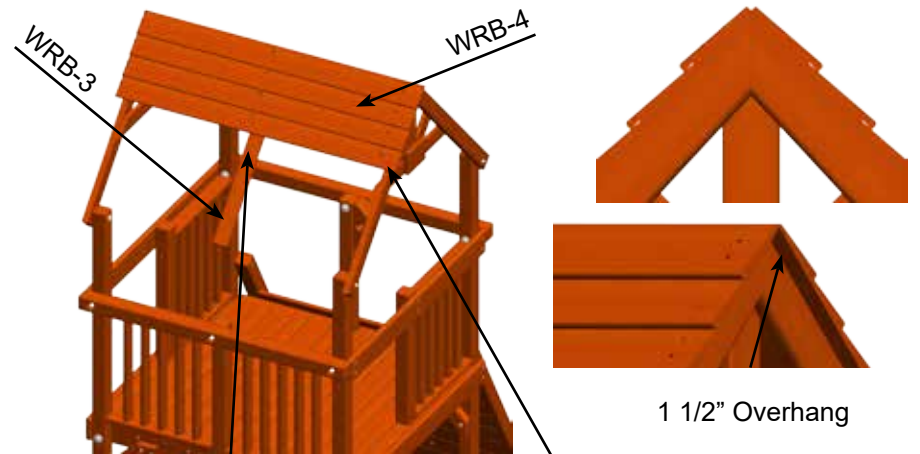
- Fan Assembly- (2)
- WRB-3- Bengal Fort WR Center Support- (2)
- WRB-4- Bengal Fort Wood Roof Board- (8)

HARDWARE NEEDED

- BRH-5- 1 5/8" Coated Deck Screws- (60)



Repeat for both sides of Wood Roof



Bengal Fort Wood Roof

PARTS NEEDED

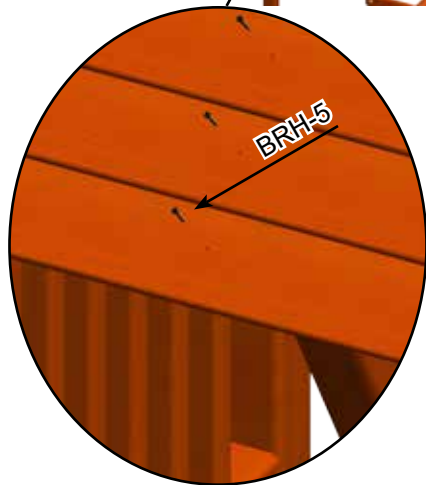
WRB-4- Bengal Fort Wood Roof Board- (12)
WRB-9- Universal WR Peak Facia- (2)

HARDWARE NEEDED

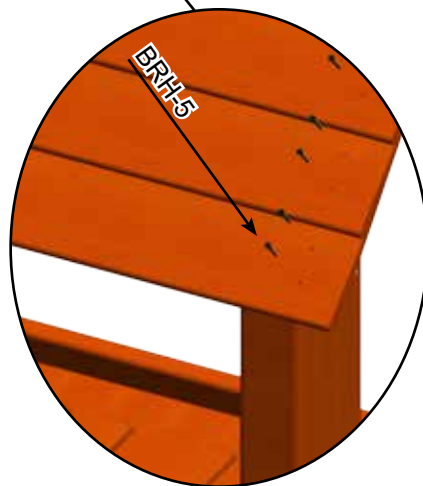
BRH-5- 1 5/8" Coated Deck Screw- (76)

Repeat for both sides of Wood Roof

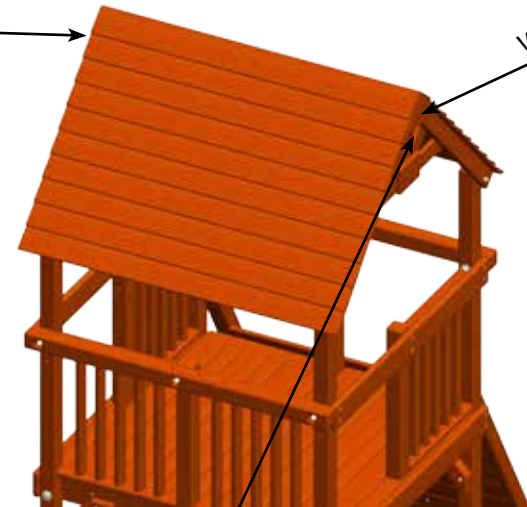
WRB-4



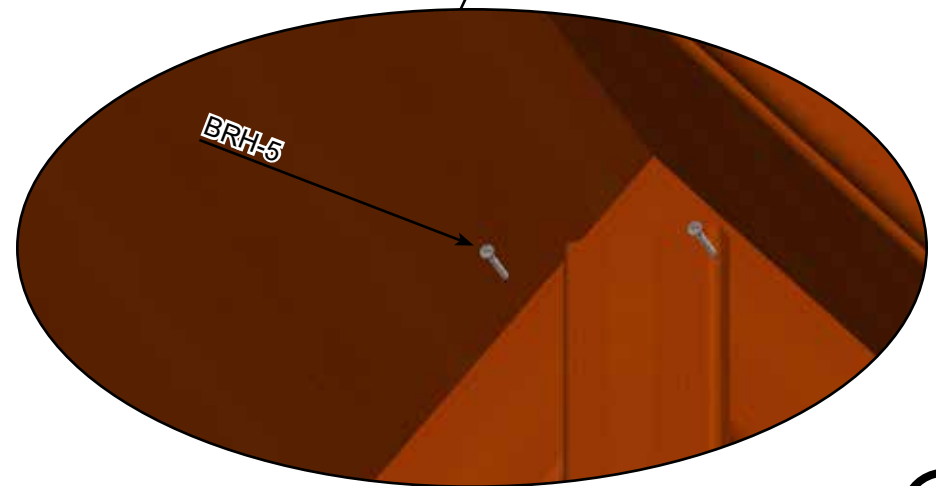
BRH-5



WRB-9



WRB-9



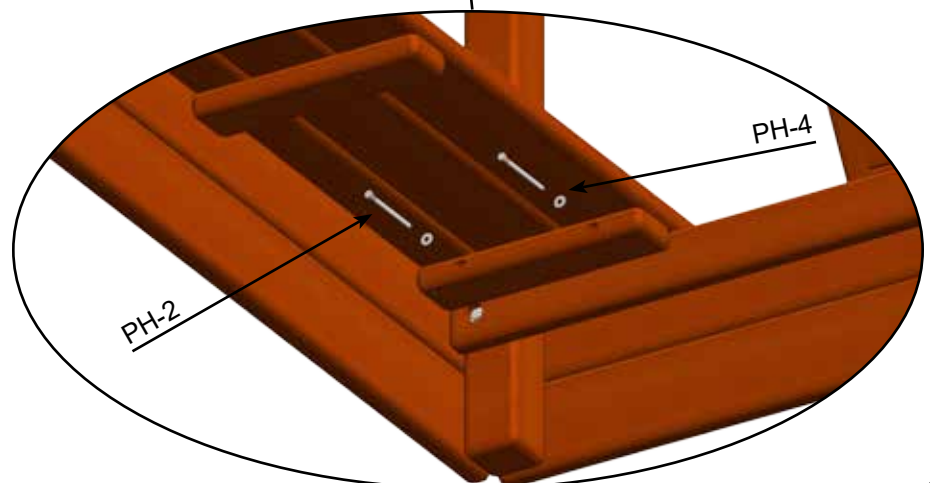
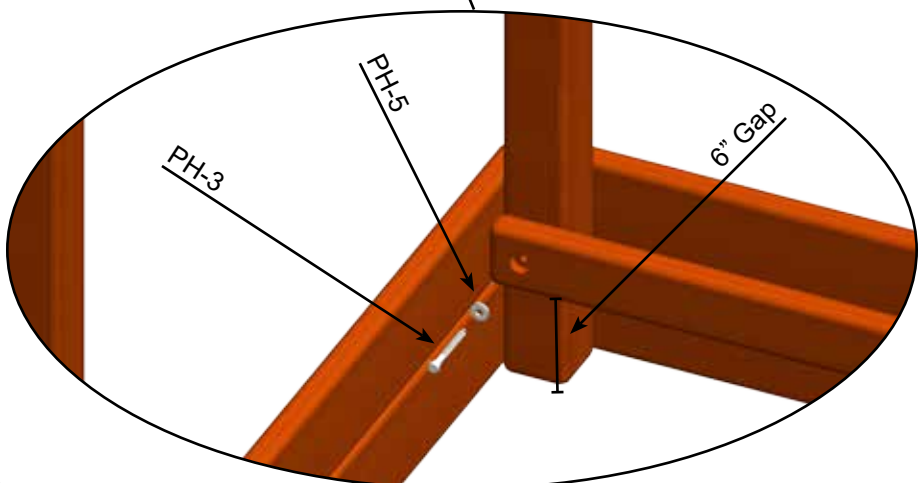
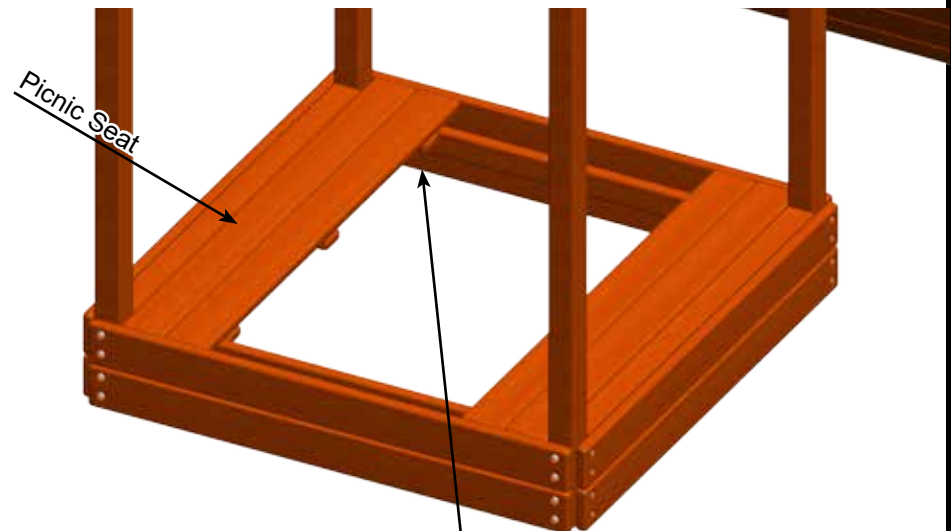
Bengal Main Assembly

PARTS NEEDED

PIC-2- Uni. Fort Picnic Table Supports- (2)
Picnic Seat Assembly- (2)

HARDWARE NEEDED

PH-3- 3/8" x 3 1/2" Hex Lag Screw- (4)
PH-5- 3/8" USS Flatwasher- (4)
PH-2- 1/4" x 4 1/2" Hex Lag Screw- (8)
PH-4- 1/4" USS Flatwasher- (8)



Bengal Main Assembly

PARTS NEEDED

PIC-2- Uni. Fort Picnic Table Supports- (2)

HARDWARE NEEDED

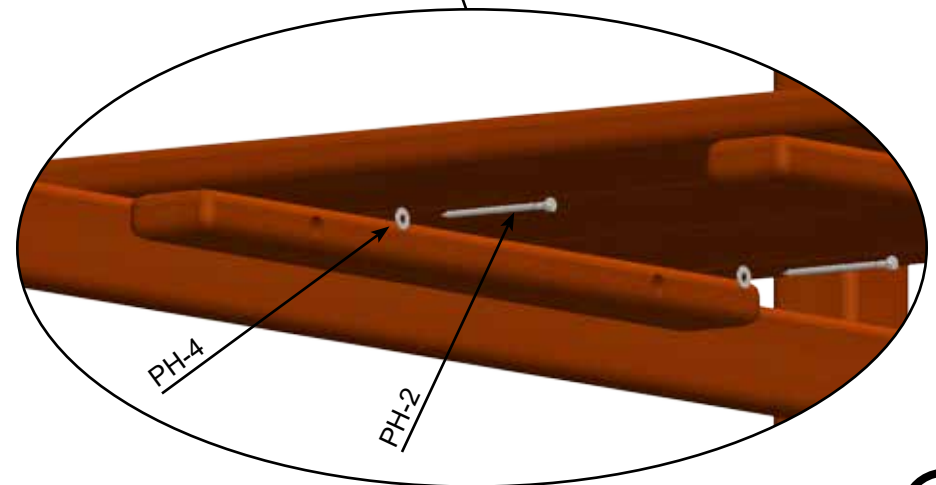
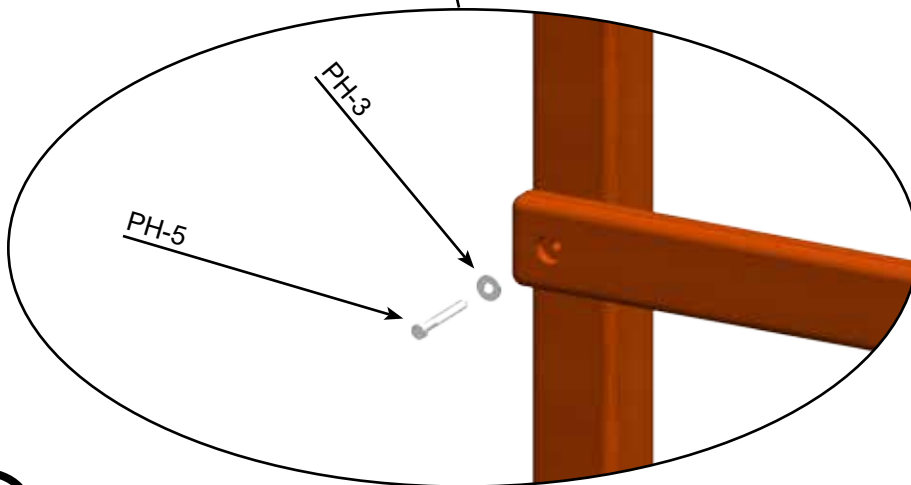
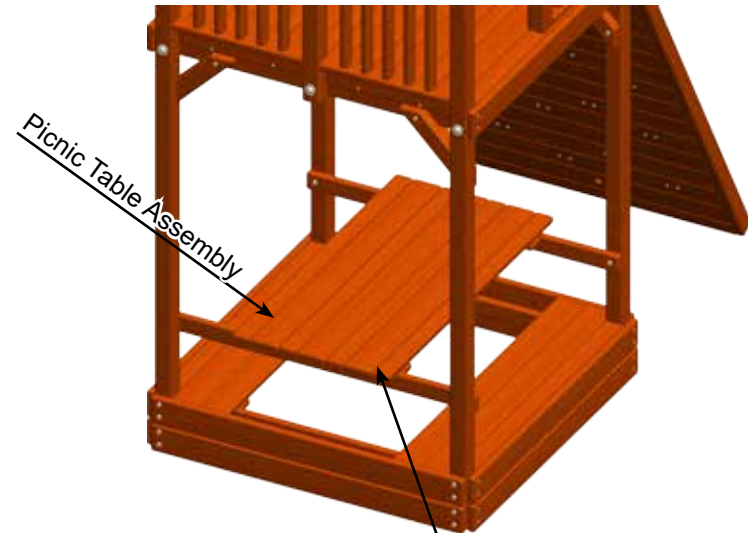
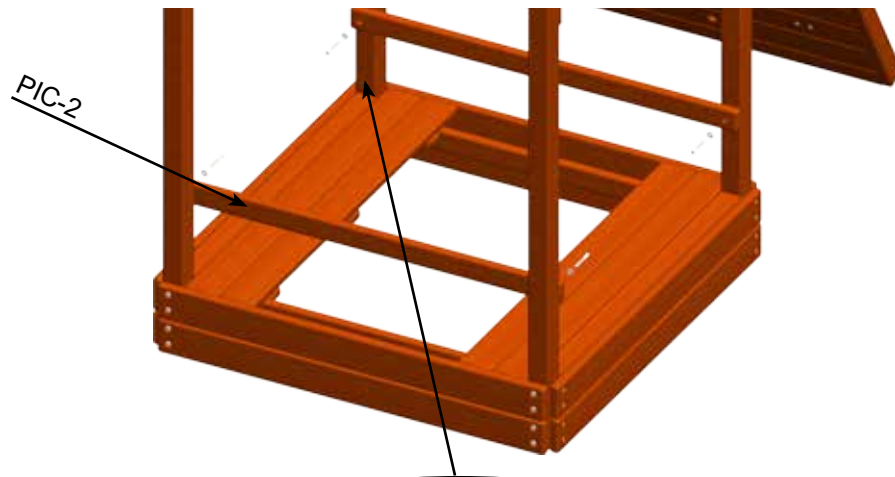
PH-3- 3/8" USS Flatwasher- (4)

PH-4- 1/4" USS Flatwasher- (4)

PH-2- 1/4" x 4 1/2" Hex Lag Screw- (4)

PH-5- 3/8" x 3 1/2" Hex Lag Screw- (4)

There is a 22" gap from the ground to the bottom of the support



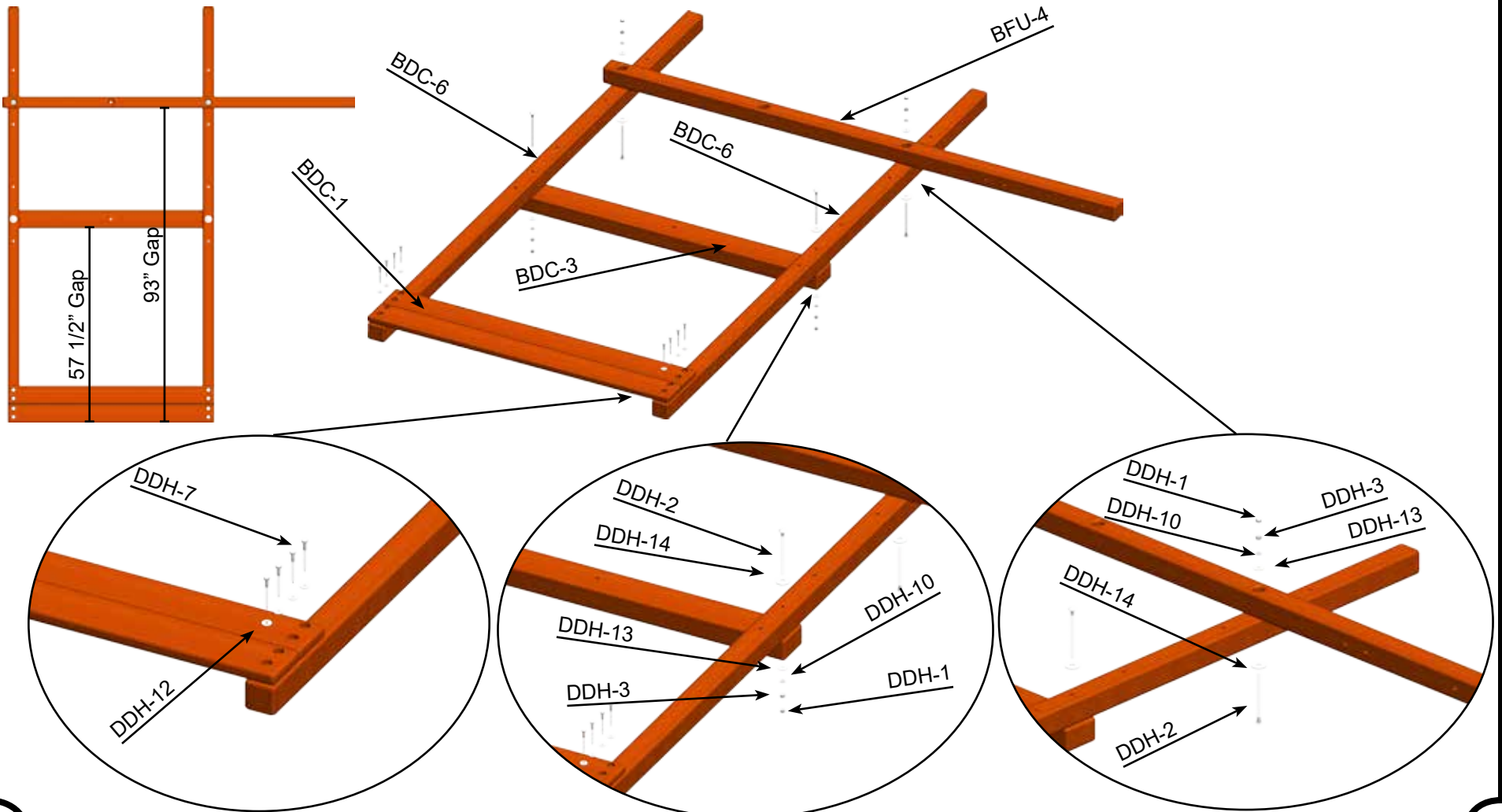
Double Decker Wall Assembly

PARTS NEEDED

- BDC-1- Uni. Fort 4- Hole Facia- (2)
- BDC-6- Fort DD Corner Post- (2)
- BDC-3- Uni. Fort Mainbeam- (1)
- BFU-4- Uni. Fort Trapeze Arm- (1)

HARDWARE NEEDED

- DDH-12- 3/8" USS Flatwasher- (8)
- DDH-2- 1/2" x 7" Carriage Bolt- (4)
- DDH-13- 1/2" USS Flatwasher- (4)
- DDH-3- 1/2" Hex Nut- (4)
- DDH-7- 3/8" x 3 1/2" Hex Lag Screw- (8)
- DDH-14- 3/4" USS Flatwasher- (4)
- DDH-10- 1/2" Split Lockwasher- (4)
- DDH-1- 1/2" Acorn Nut Plated- (4)



Double Decker Wall Assembly

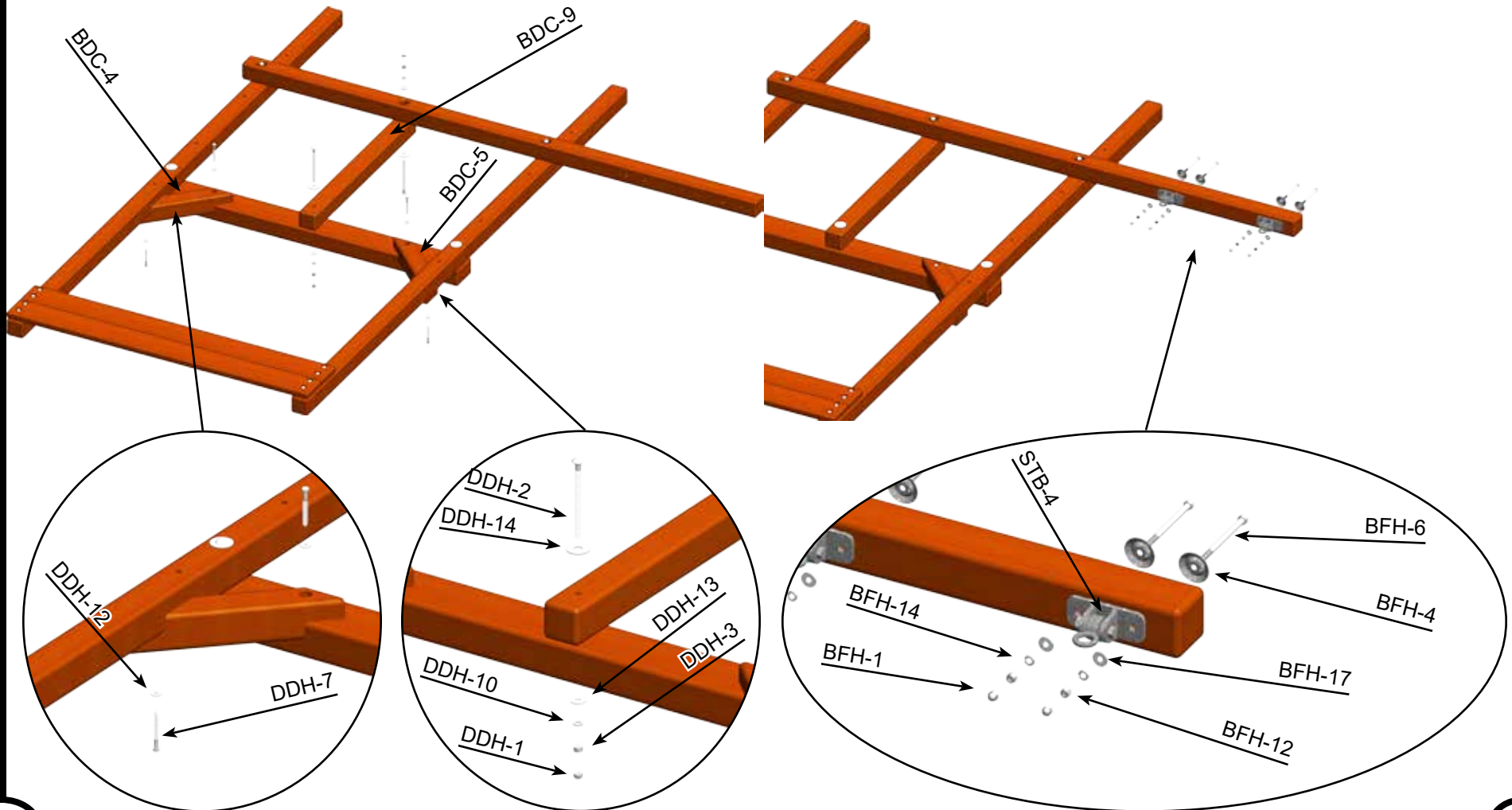
PARTS NEEDED

BDC-4- (L) Gusset Bracket-
 BDC-5- (R) Gusset Bracket-
 BDC-9- Uni. Fort Center Upright-
 STB-4- Ductile Hangers-

(1) DDH-12- 3/8" x 3 1/2" Hex Lag Screw-
 (1) DDH-2- 1/2" x 7" Carriage Bolt-
 (1) DDH-13- 1/2" USS Flatwasher-
 (2) DDH-3- 1/2" Hex Nut-
 BFH-6- 3/8" x 5" Hex Bolt-
 BFH-17- 3/8" USS Flatwasher-
 BFH-12- 3/8" Nylon Insert Locknut-

HARDWARE NEEDED

(4) DDH-7- 3/8" USS Flatwasher- (4)
 (2) DDH-14- 3/4" USS Flatwasher- (2)
 (2) DDH-10- 1/2" Split Lockwasher- (2)
 (2) DDH-1- 1/2" Acorn Nut Plated- (2)
 (4) BFH-4- 3/8" Bolt Cup- (4)
 (4) BFH-14- 3/8" Split Lockwasher- (4)
 (4) BFH-1- 3/8" Acorn Nut Plated- (4)



Double Decker Ladder

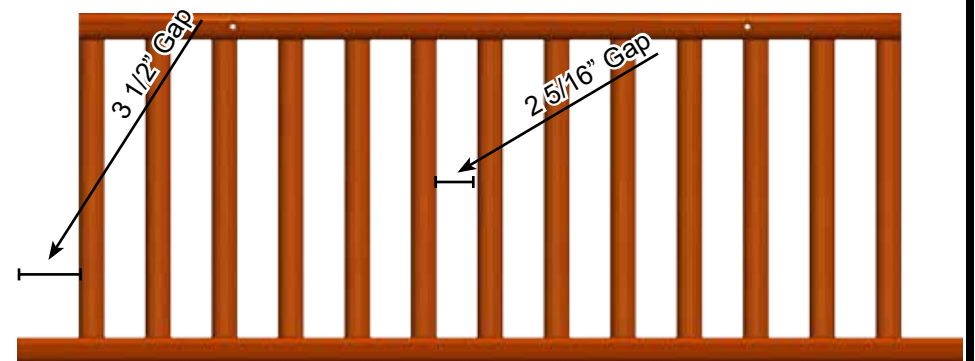
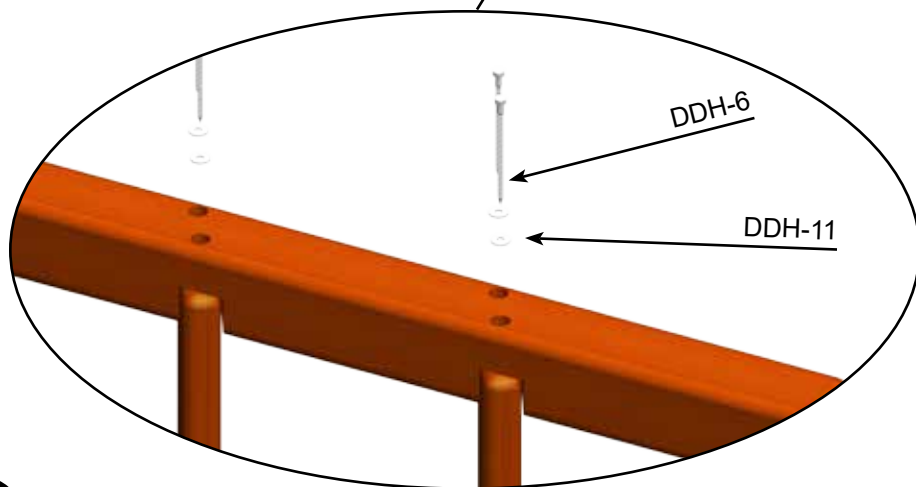
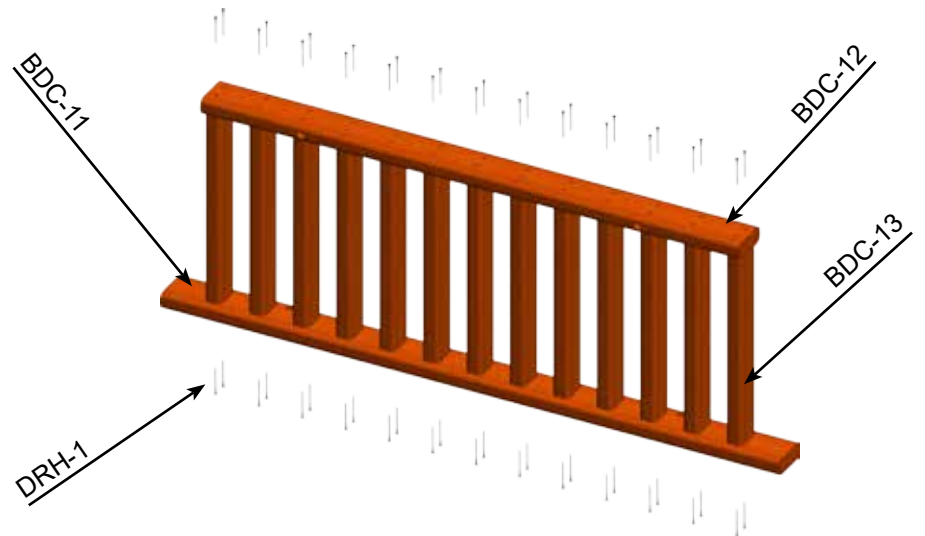
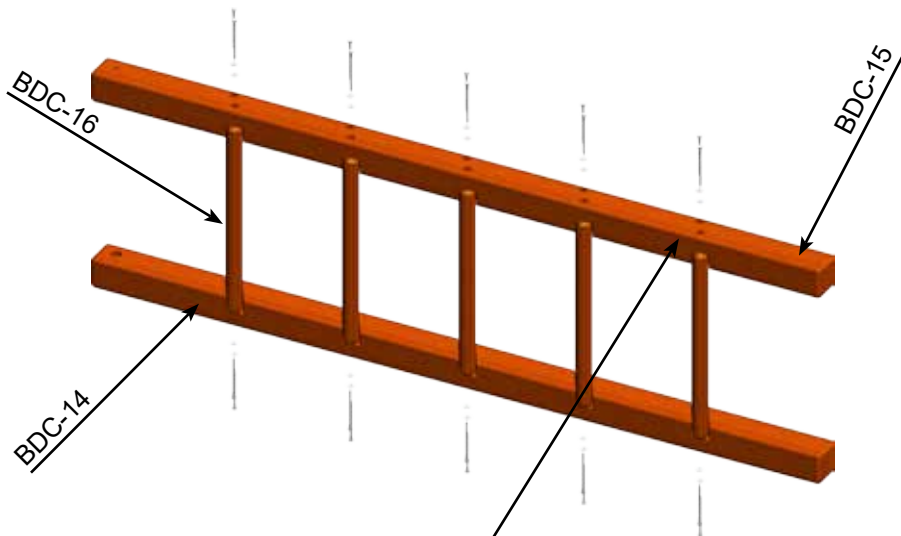
PARTS NEEDED

- BDC-16- Uni. Fort Ladder Step- (5)
- BDC-14- Fort Left Ladder Leg- (1)
- BDC-15- Fort Right Ladder Leg- (1)
- BDC-11- Double Decker Rail Bottom- (1)
- BDC-12- Double Decker Rail Bottom- (1)
- BDC-13- Double Decker Rail Spindle- (13)

Double Decker Rail

HARDWARE NEEDED

- DDH-6- 1/4" x 4 1/2" Hex Lag Screw- (20)
- DRH-1- 2 1/2" Coated Deck Screw- (52)



Double Decker Assembly

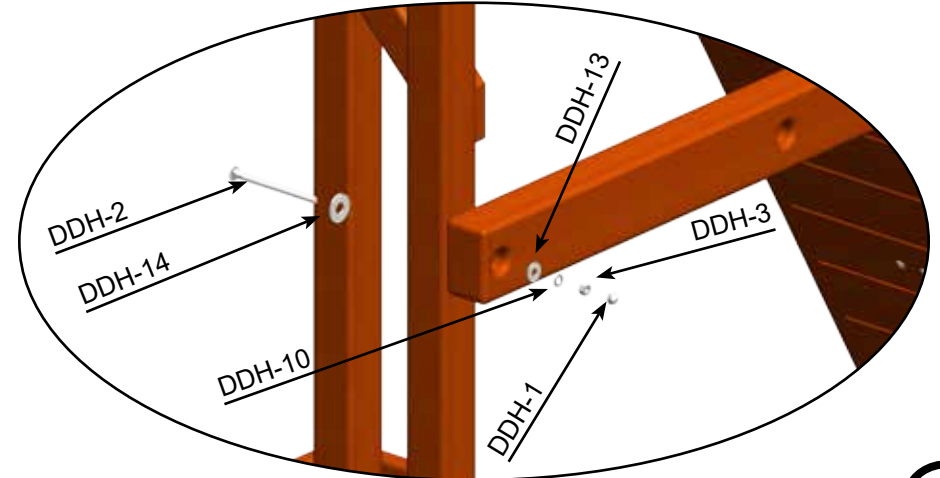
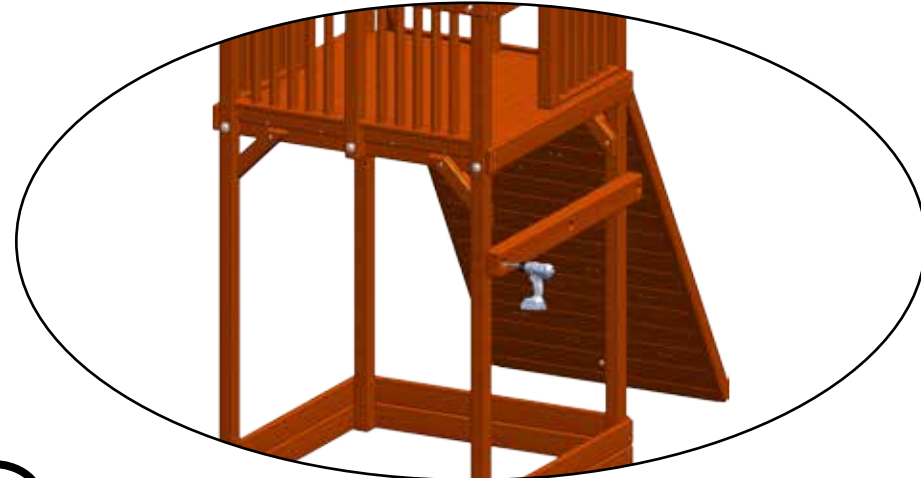
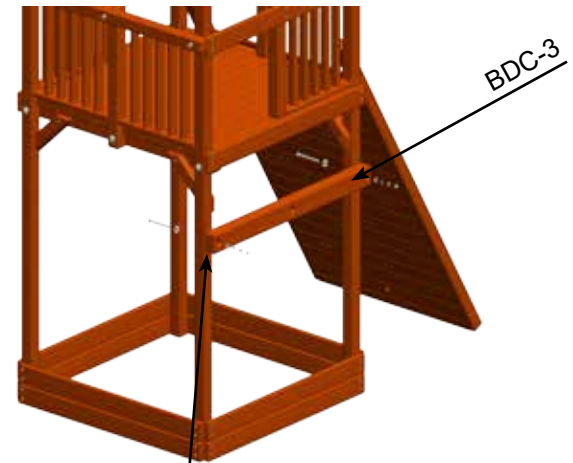
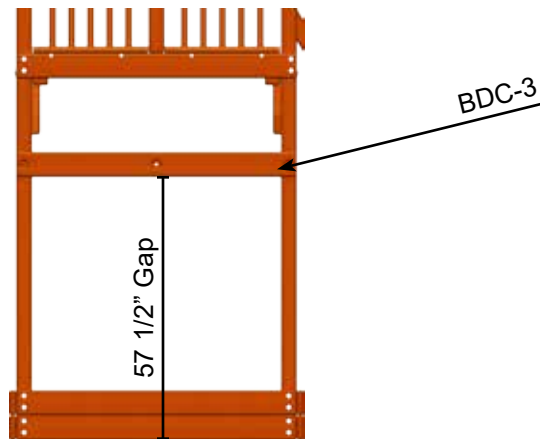
PARTS NEEDED

BDC-3- Universal Fort Mainbeam- (1)

HARDWARE NEEDED

DDH-2- 1/2" x 7" Carriage Bolt- (2)
DDH-14- 3/4" USS Flatwasher- (2)
DDH-13- 1/2" USS Flatwasher- (2)
DDH-10- 1/2" Split Lockwasher- (2)
DDH-3- 1/2" Hex Nut- (2)
DDH-1- 1/2" Acorn Nut Plated- (2)

For this step we need to clamp the BDC-3 at 57 1/2" to the Bengal Corner Posts and drill a 9/16" hole through the Mainbeam and Corner Posts



Double Decker Assembly

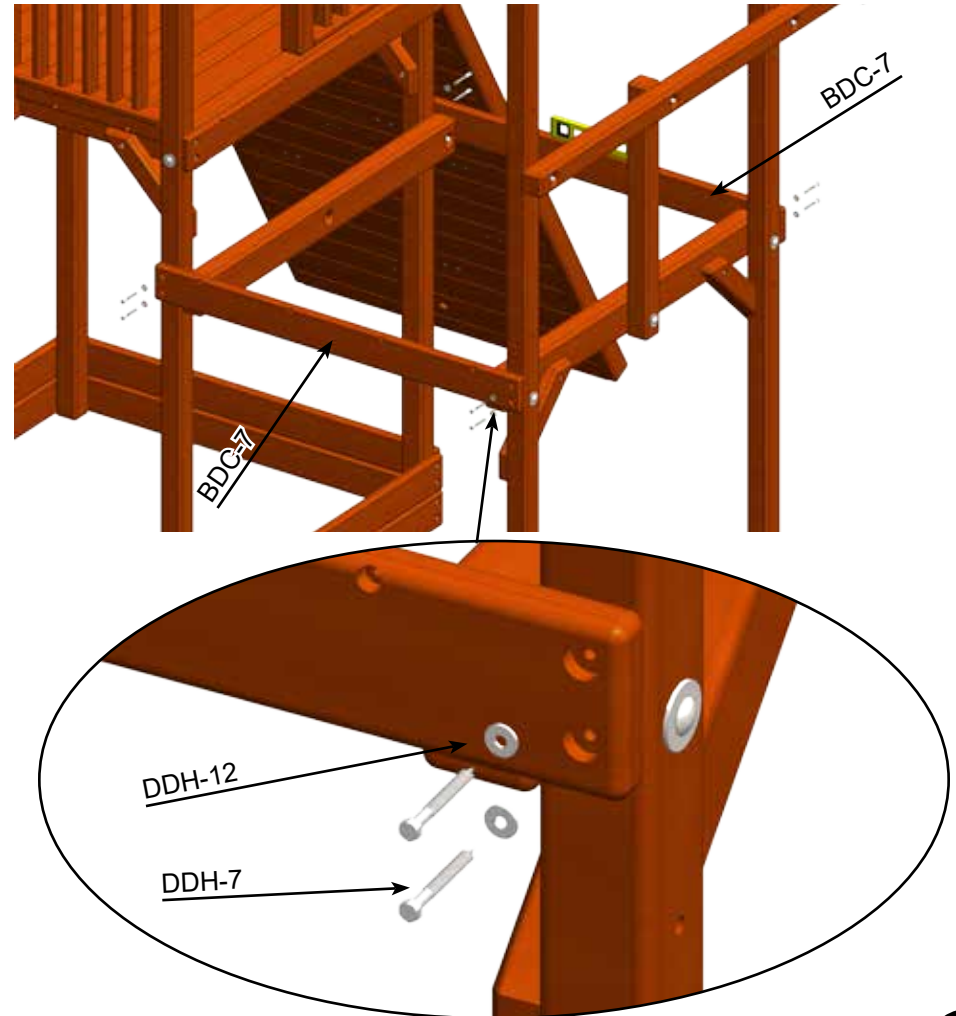
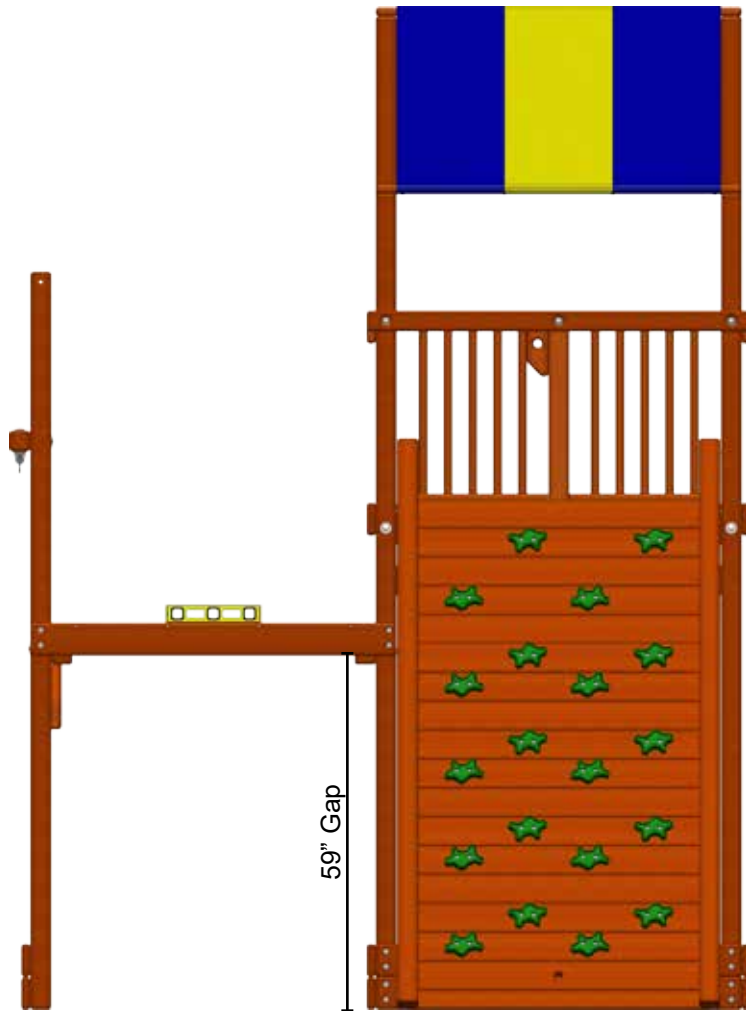
PARTS NEEDED

BDC-7- Universal Fort 8 Hole Facia- (2)

HARDWARE NEEDED

DDH-7- 3/8" x 3 1/2" Hex Lag Screw- (8)

DDH-12- 3/8" USS Flatwasher- (8)



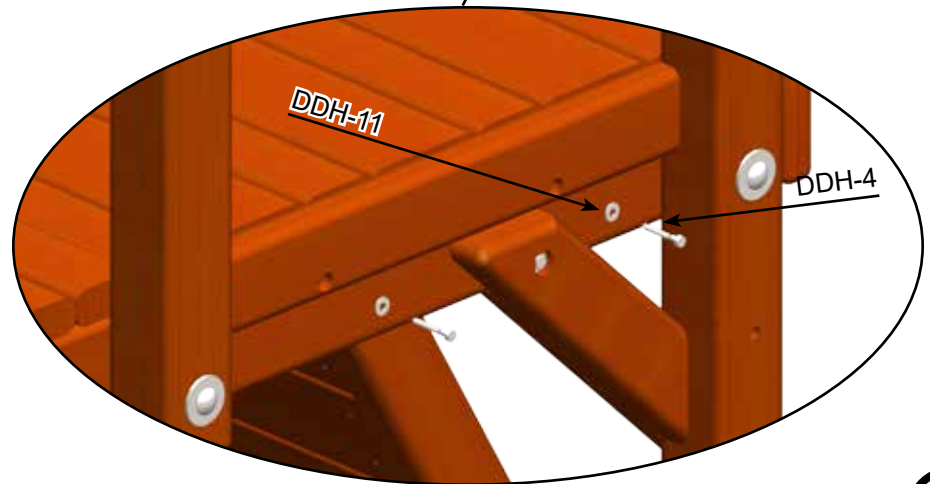
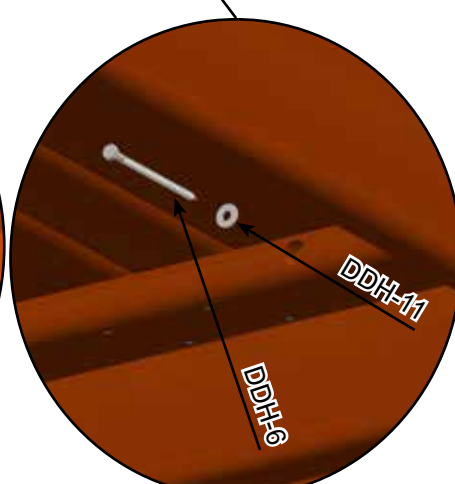
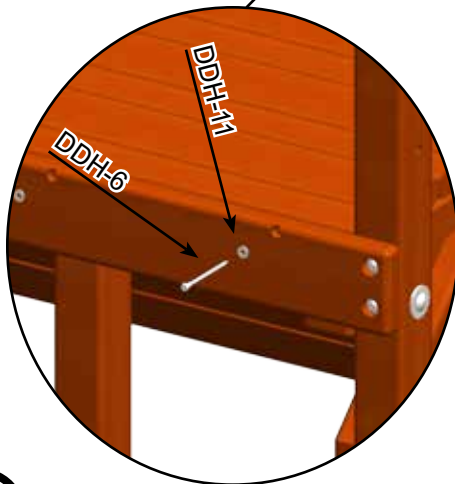
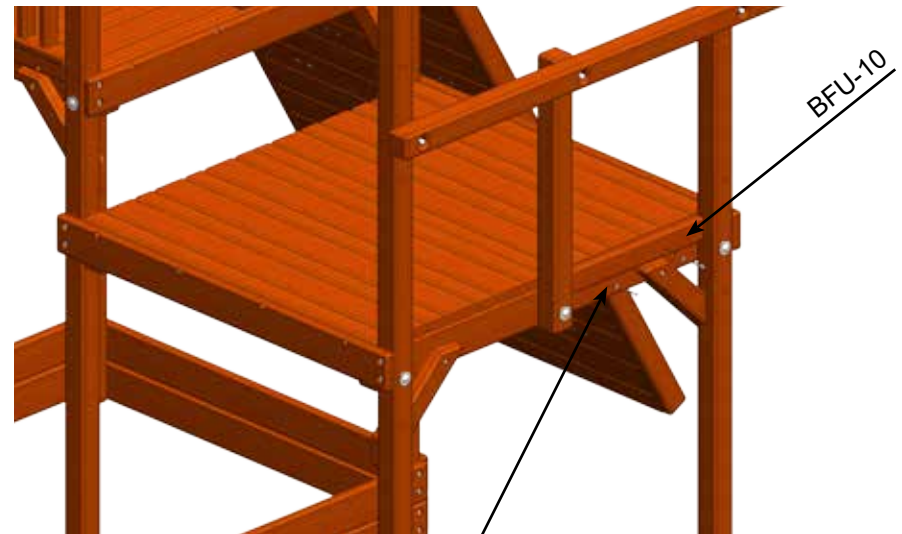
Double Decker Assembly

PARTS NEEDED

Universal Deck- (2)
BFU-10- Universal Rail Bottom- (1)

HARDWARE NEEDED

DDH-11- 1/4" USS Flatwasher- (18)
DDH-6- 1/4" x 4 1/2" Hex Lag Screw- (16)
DDH-4- 1/4" x 3" Hex Lag Screw- (2)



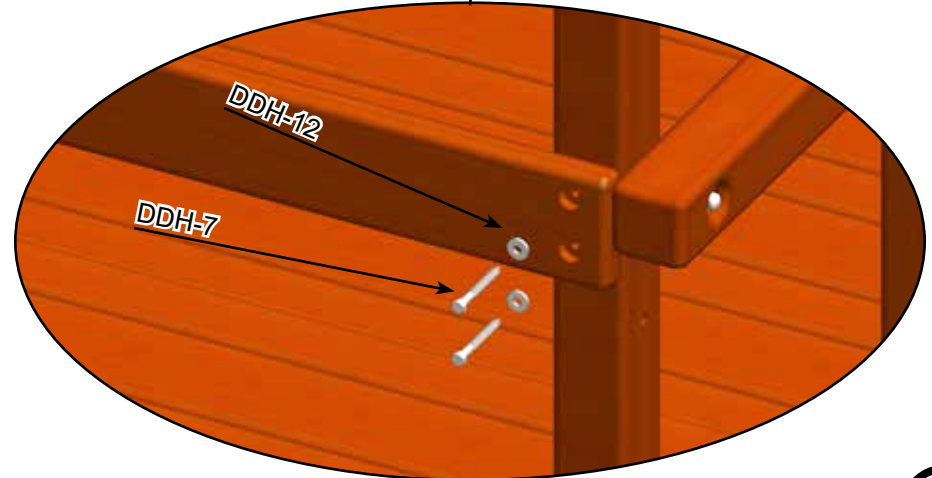
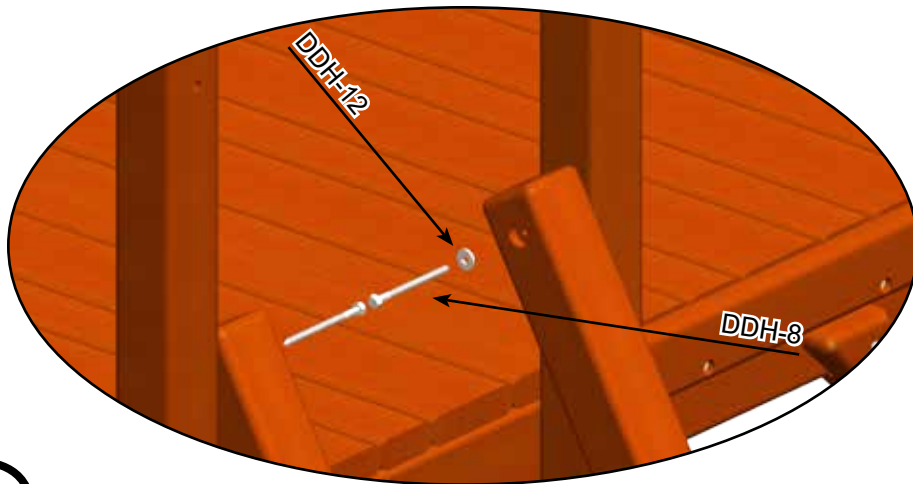
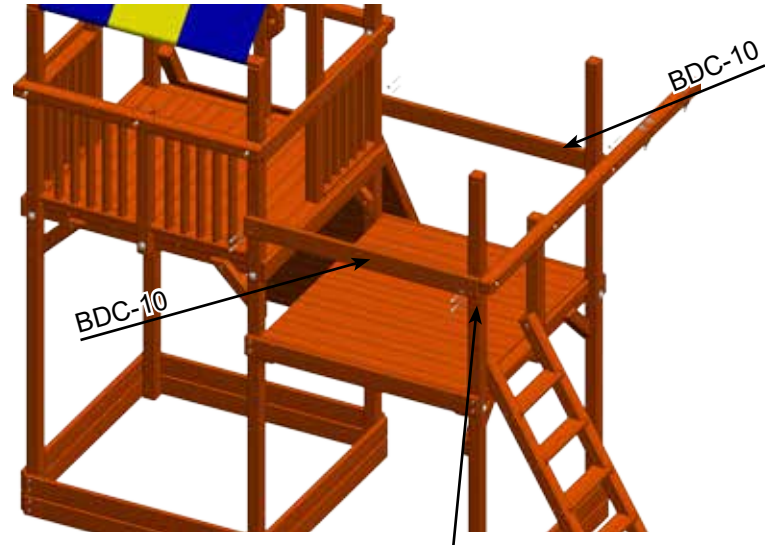
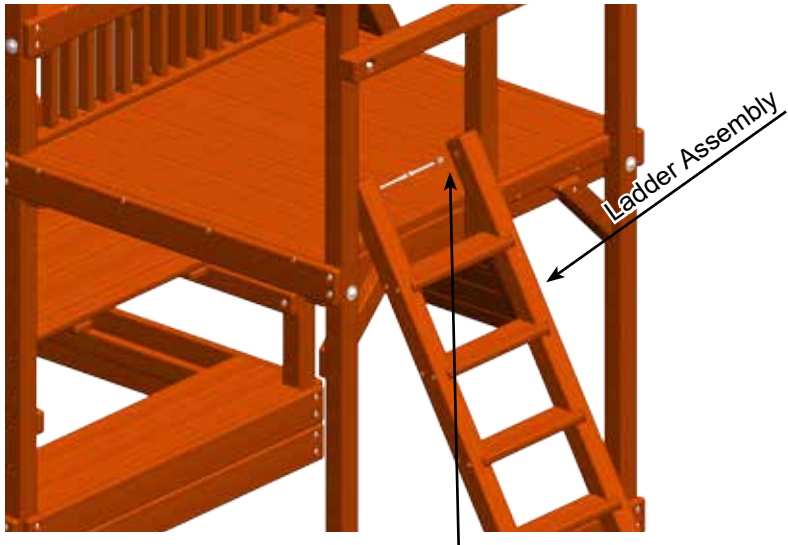
Double Decker Assembly

PARTS NEEDED

Ladder Assembly- (1)
BDC-10- Universal 6 Hole Facia- (2)

HARDWARE NEEDED

DDH-12- 3/8" USS Flatwasher- (10)



Double Decker Assembly

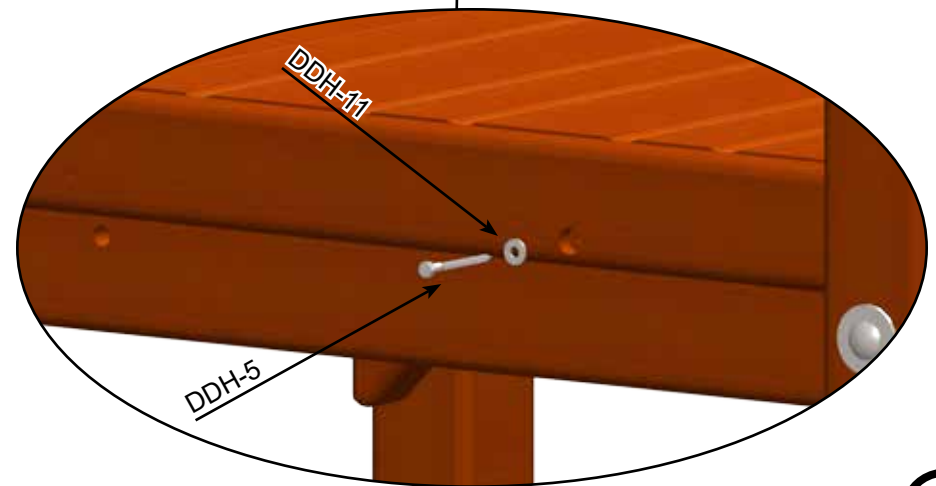
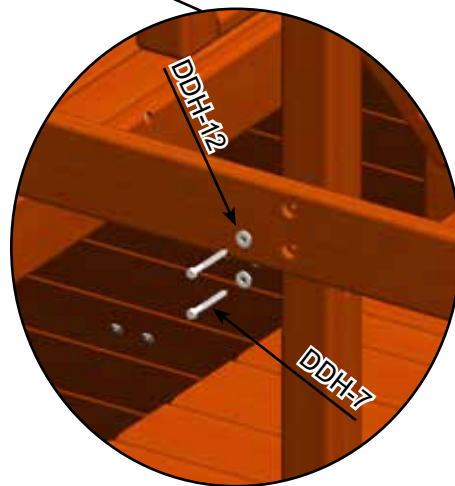
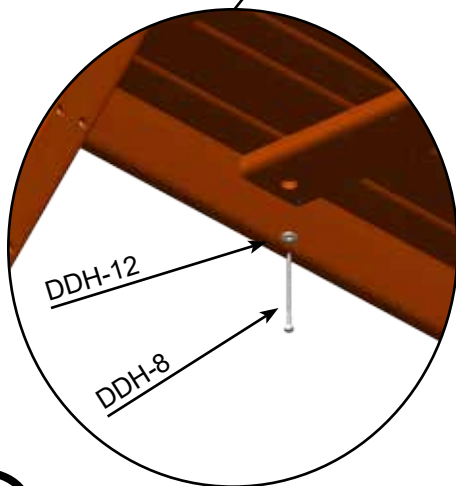
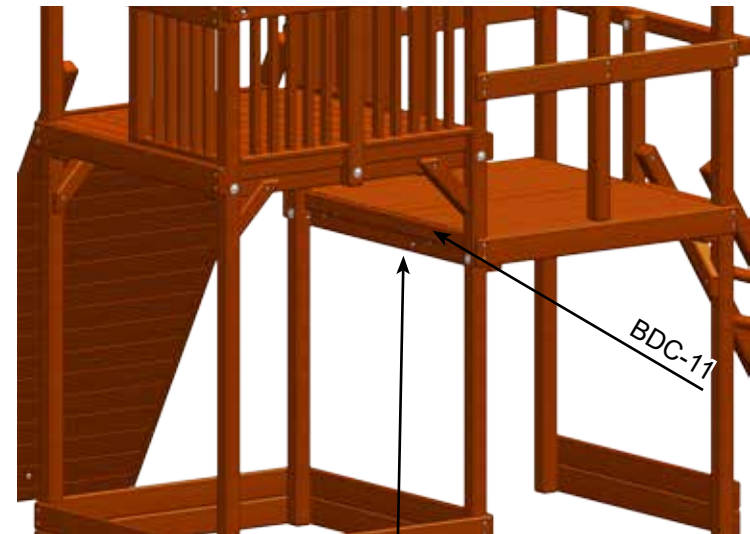
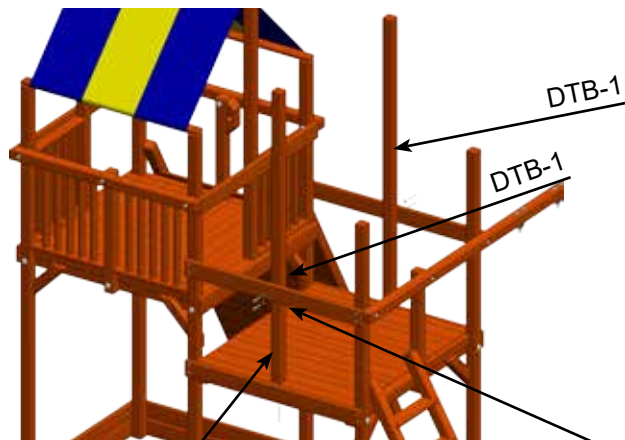
PARTS NEEDED

- DTB-1- Double Decker Tarp Center Post- (1)
- BDC-11- Double Decker Rail Bottom- (1)

HARDWARE NEEDED

- DDH-12- 3/8" USS Flatwasher- (6)
- DDH-8- 3/8" x 5" Hex Lag Screw- (2)
- DDH-7- 3/8" x 3 1/2" Hex Lag Screw- (4)
- DDH-11- 1/4" USS Flatwasher- (2)
- DDH-5- 1/4" x 3" Hex Lag Screw- (2)

Skip Step if you have a Wood Roof



Double Decker Wood Roof

PARTS NEEDED

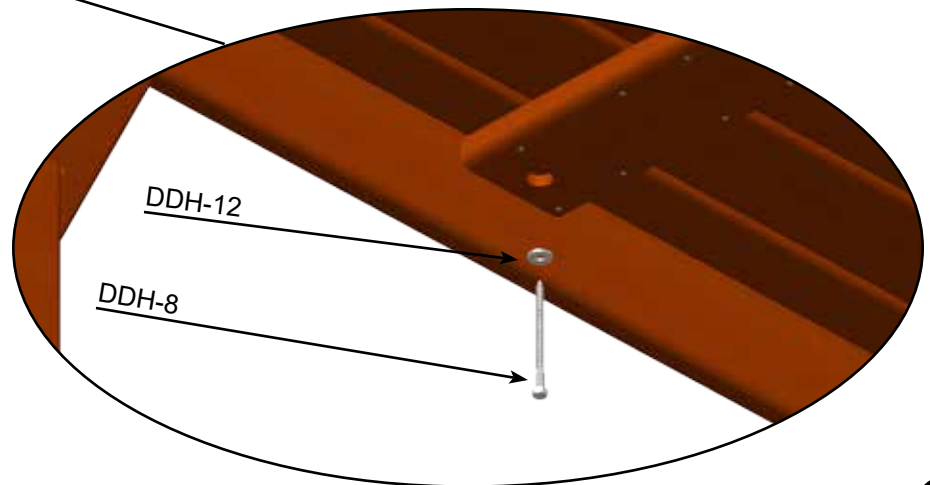
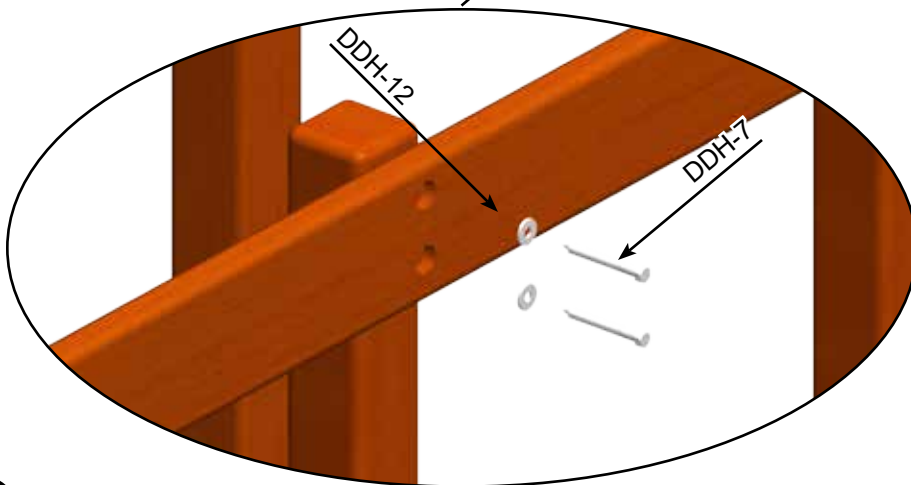
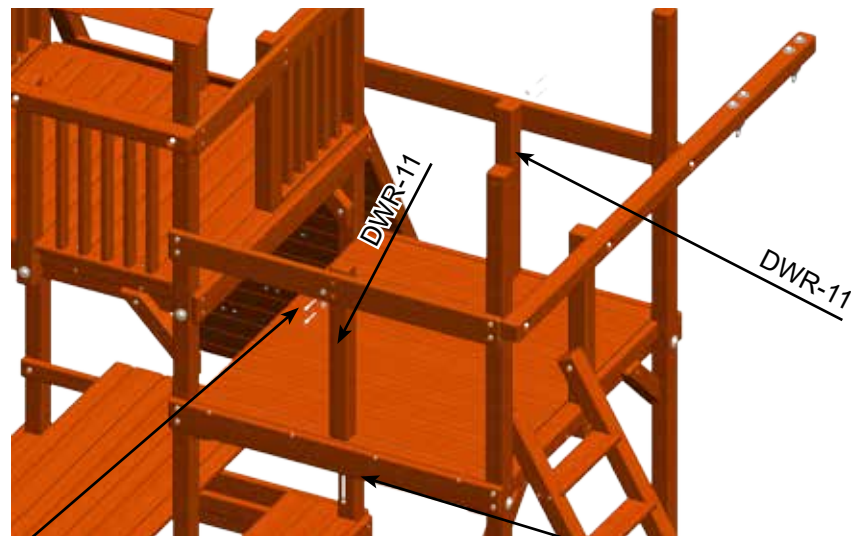
DWR-11- Universal Fort WR Center Post- (2)

HARDWARE NEEDED

DDH-12- 3/8" USS Flatwasher- (6)

DDH-7- 3/8" x 3 1/2" Hex Lag Screw- (4)

DDH-8- 3/8" x 5" Hex Lag Screw- (2)



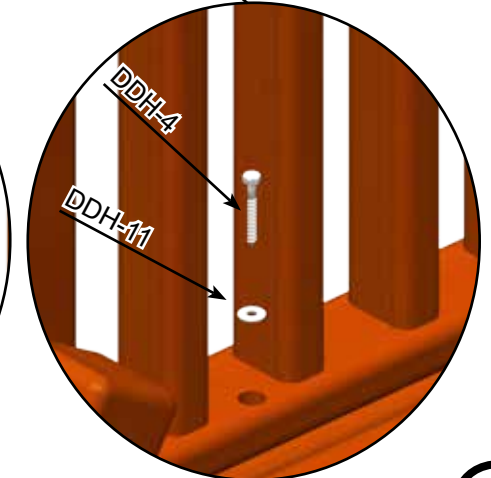
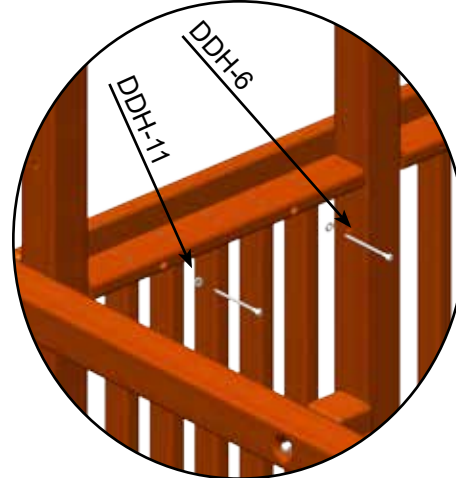
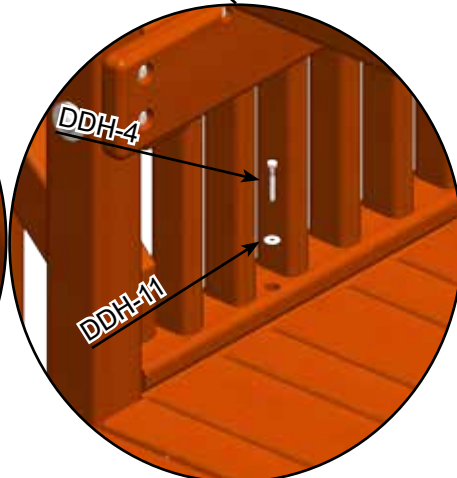
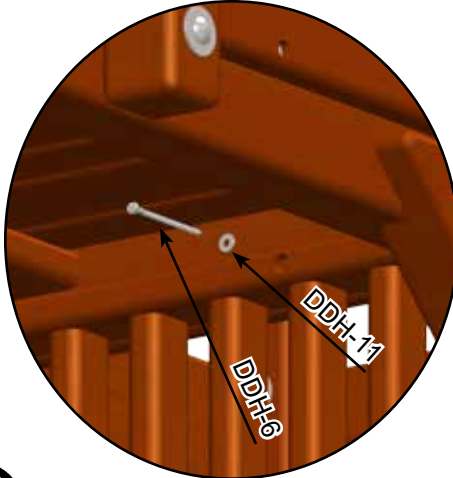
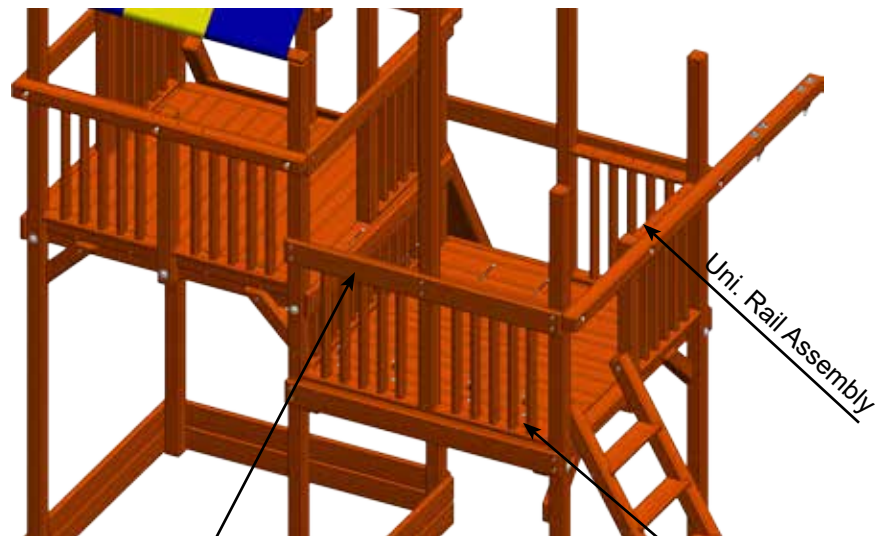
Double Decker Assembly

PARTS NEEDED

Double Decker Rail- (1)
 Uni. Rail Assembly- (4)

HARDWARE NEEDED

DDH-6- 1/4" x 4 1/2" Hex Lag Screw- (10)
 DDH-11- 1/4" USS Flatwasher- (20)
 DDH-4- 1/4" x 2" Hex Lag Screw- (10)



Double Decker Wood Roof

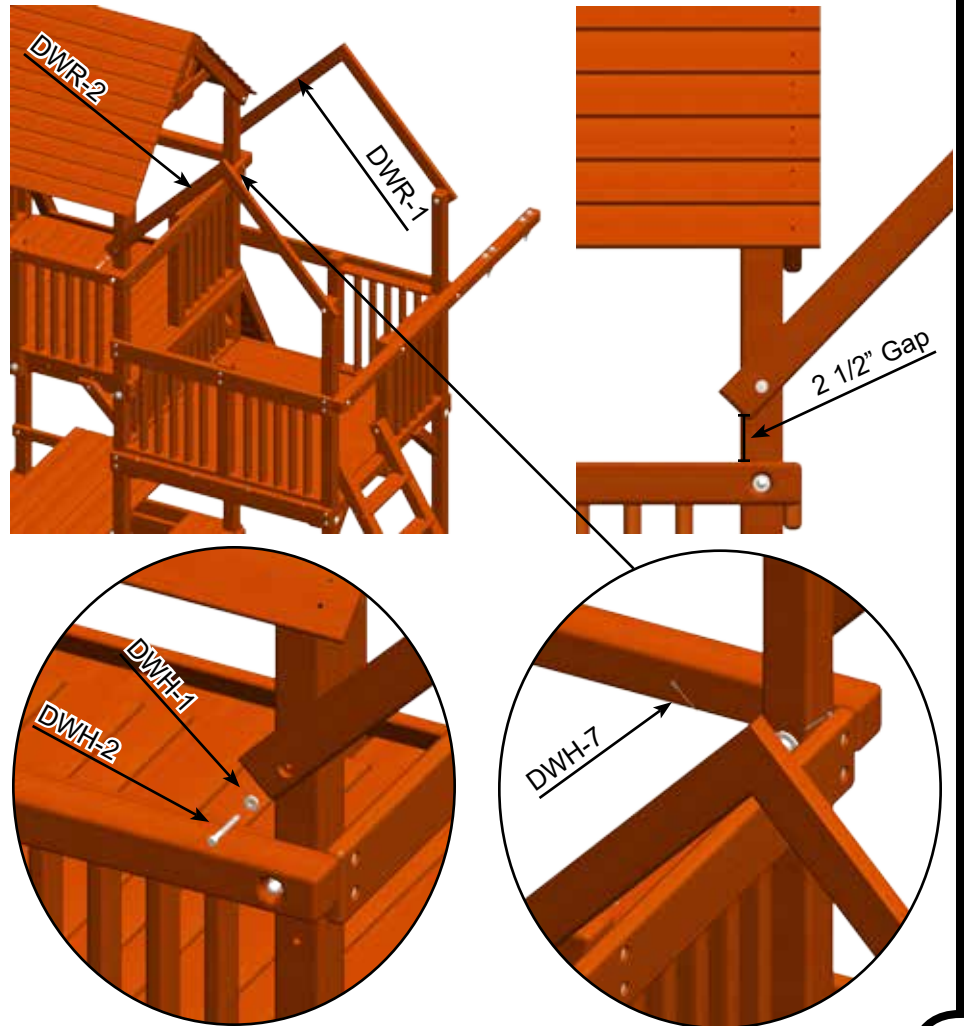
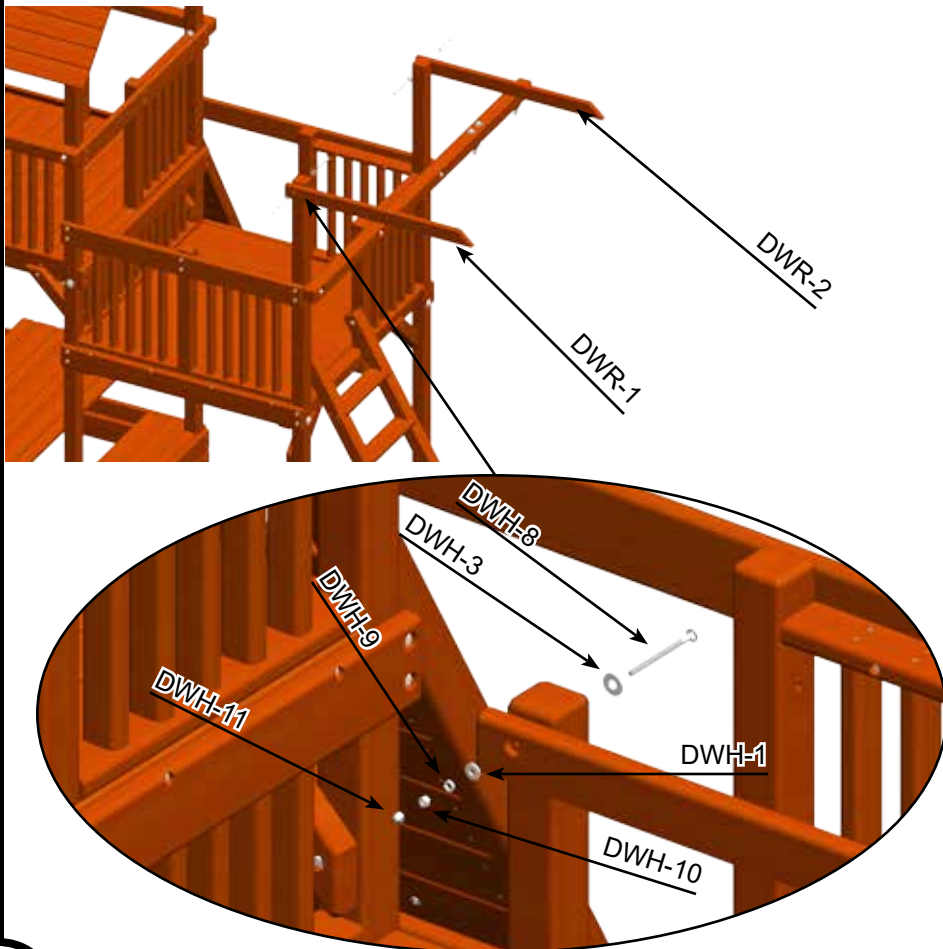
PARTS NEEDED

- DWR-1- Bengal Fort WR Support (R)- (2)
- DWR-2- Bengal Fort WR Support (L)- (2)

HARDWARE NEEDED

- | | |
|---|--------------------------------------|
| DWH-8- 3/8" x 5 1/2" Carriage Bolt- (2) | DWH-3- 1/2" USS Flatwasher- (2) |
| DWH-1- 3/8" USS Flatwasher- (4) | DWH-9- 3/8" Split Lockwasher- (2) |
| DWH-10- 3/8" Hex Nut- (2) | DWH-11- 3/8" Acorn Nut Plated- (2) |
| DWH-2- 3/8" x 3 1/2" Hex Lag Screw- (2) | DWH-7- 2 1/2" Coated Deck Screw- (2) |

LEAVE SLIGHTLY LOOSE AND TIGHTEN AFTER NEXT STEP



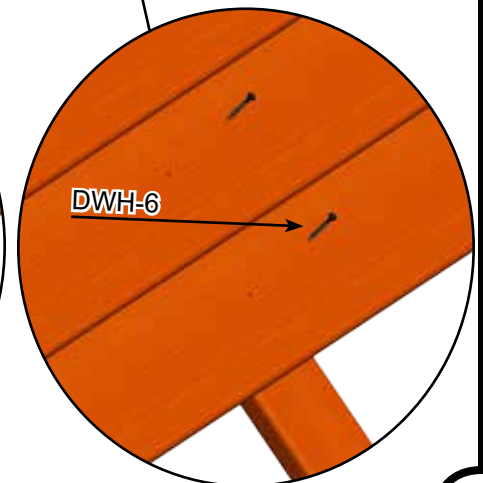
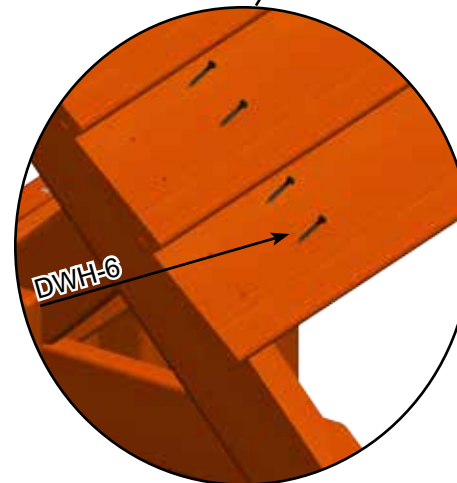
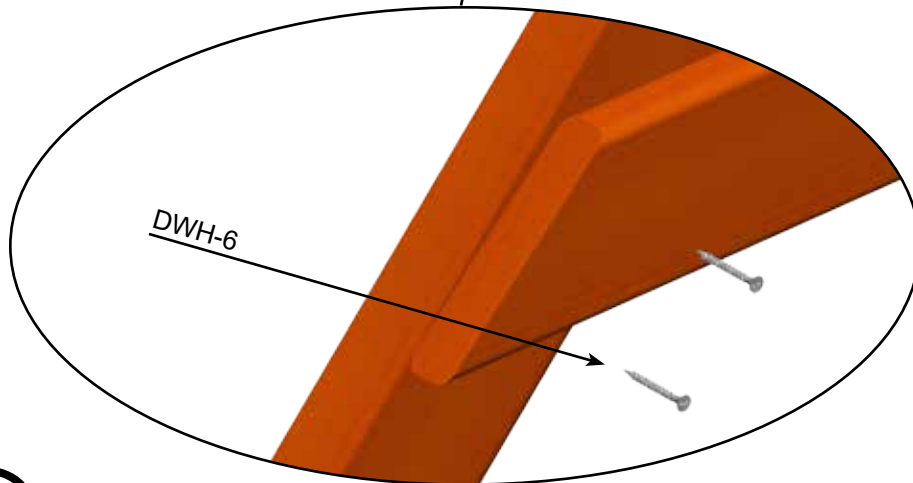
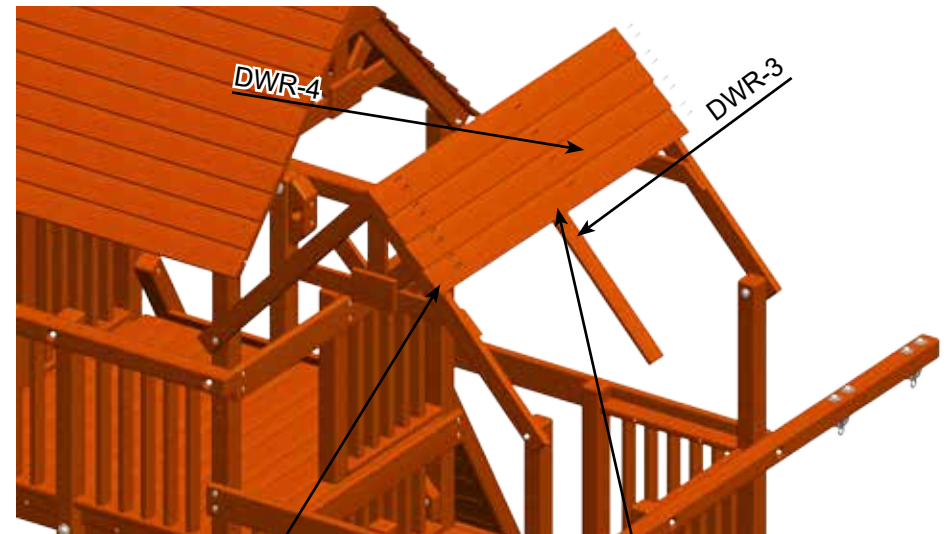
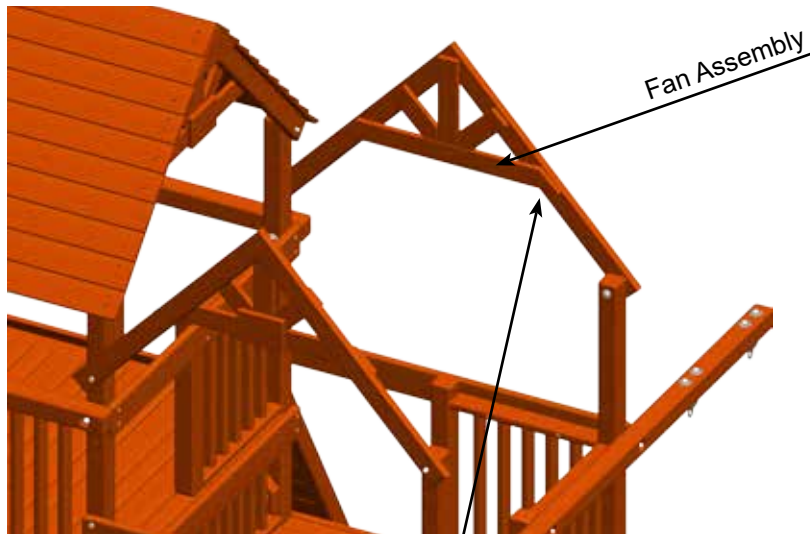
Double Decker Wood Roof

PARTS NEEDED

Fan Assembly- (2)
DWR-4- Bengal Fort Wood Roof Board- (4)
DWR-3- Bengal Fort WR Center Support- (1)

HARDWARE NEEDED

DWH-6- 1 5/8" Coated Deck Screws- (40)



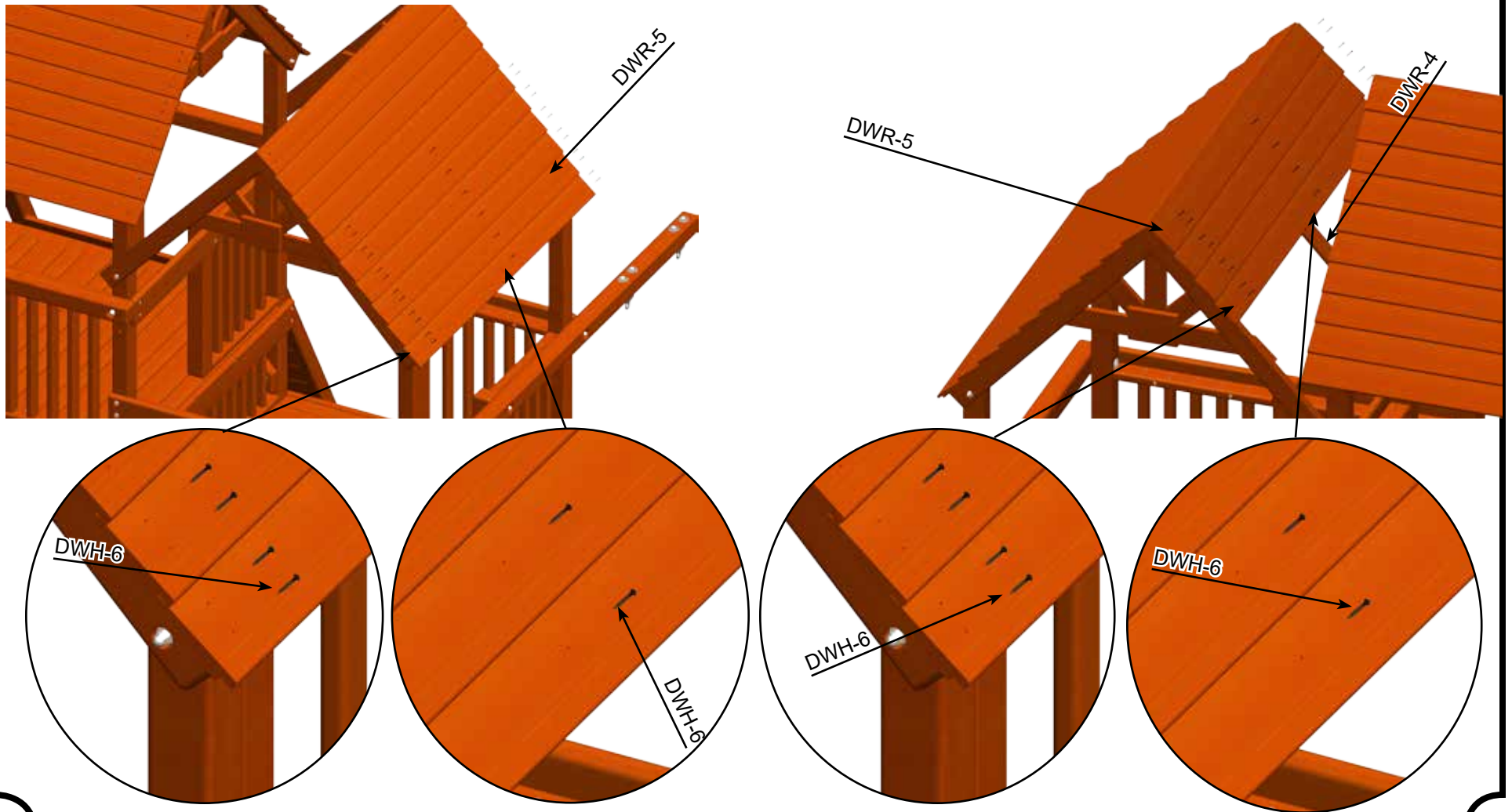
Double Decker Wood Roof

PARTS NEEDED

DWR-5- Bengal Fort WR Board- (10)
DWR-4- DD WR Center Support- (1)

HARDWARE NEEDED

DWH-6- 1 5/8" Coated Deck Screws- (50)



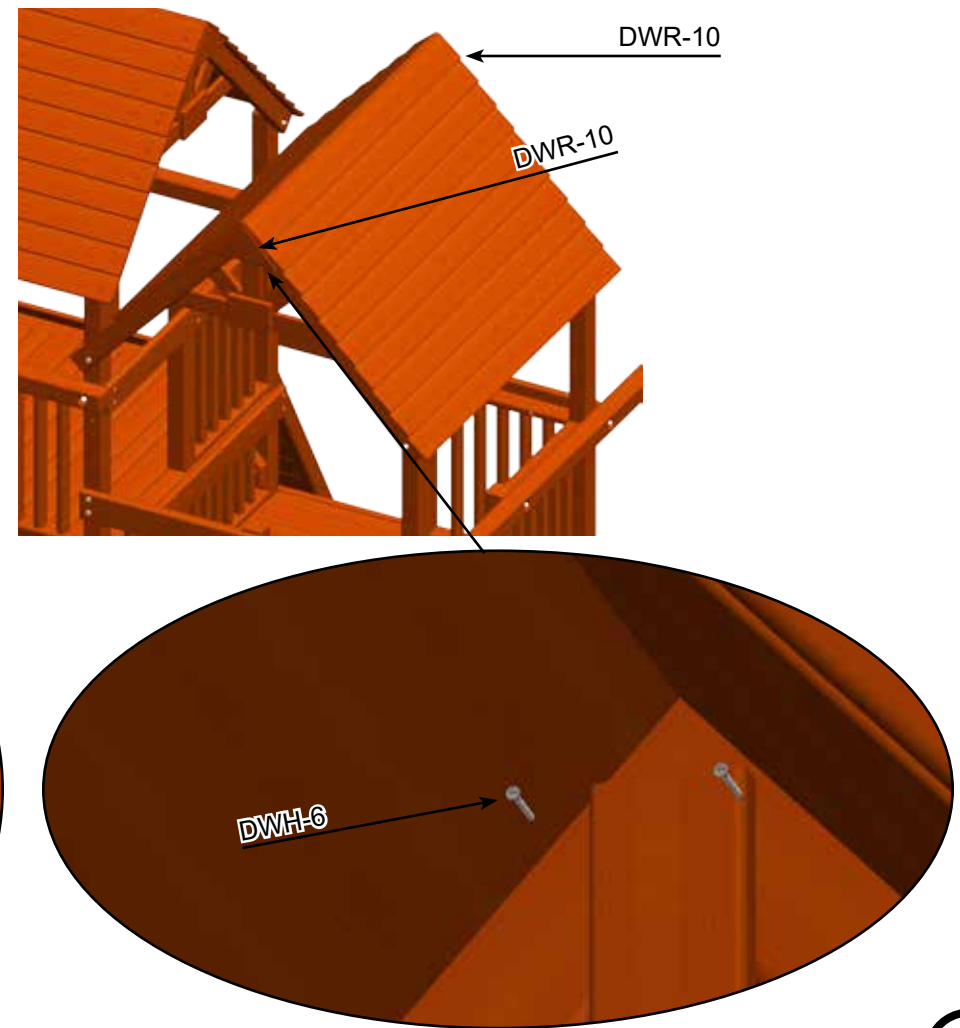
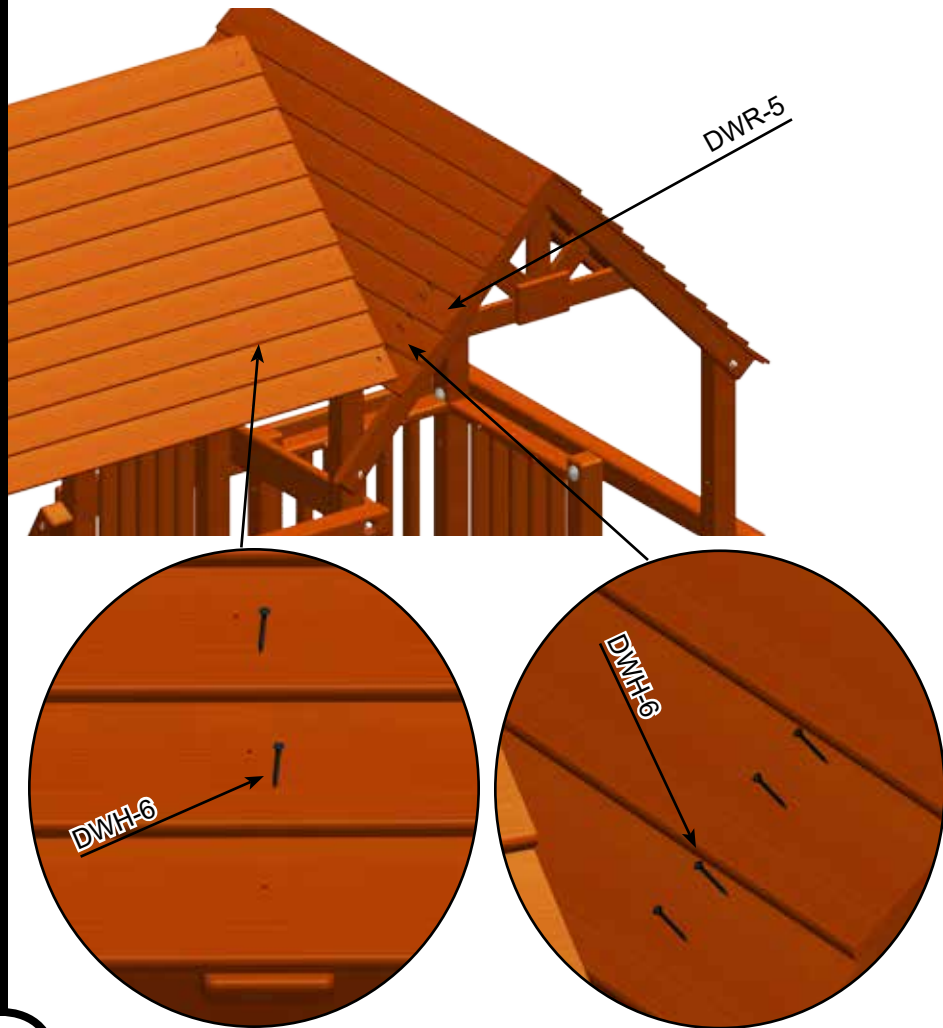
Double Decker Wood Roof

PARTS NEEDED

DWR-5- Bengal Fort WR Board- (3)
DWR-10- Universal WR Peak Facia- (2)

HARDWARE NEEDED

DWH-6- 1 5/8" Coated Deck Screw- (19)



Double Decker Tarp Assembly

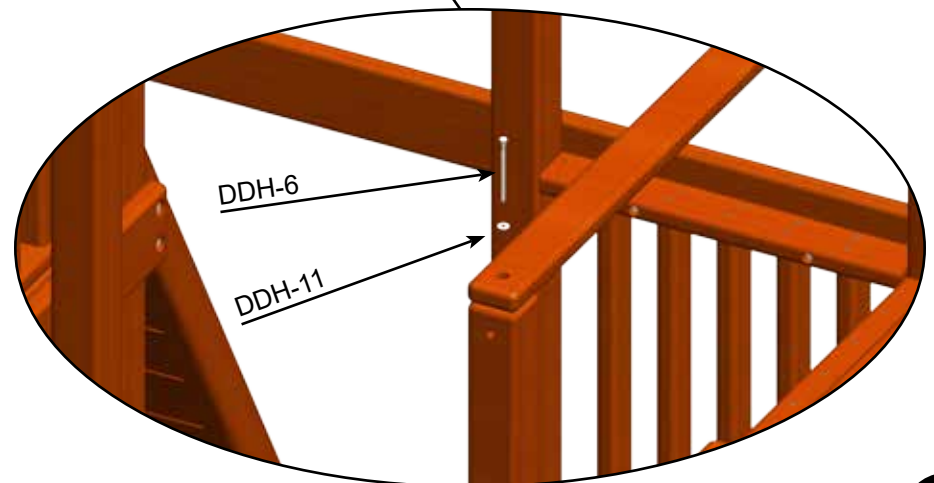
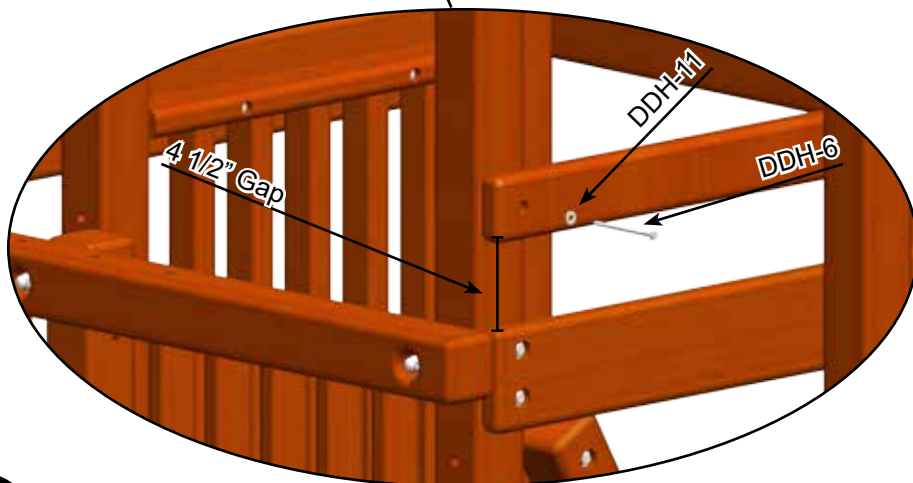
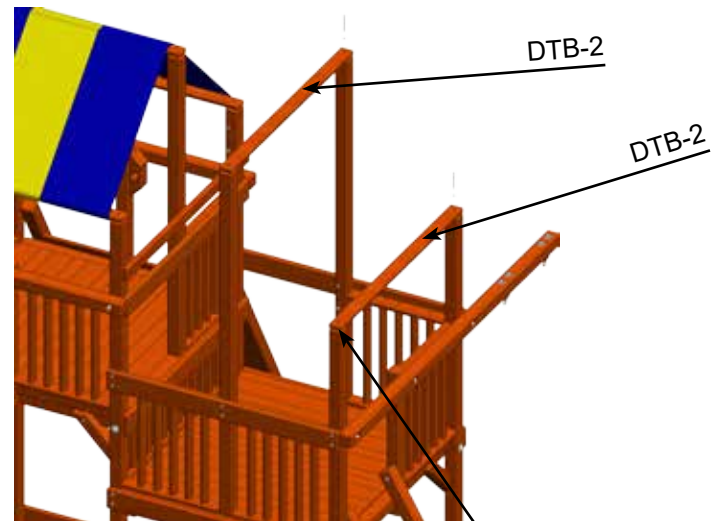
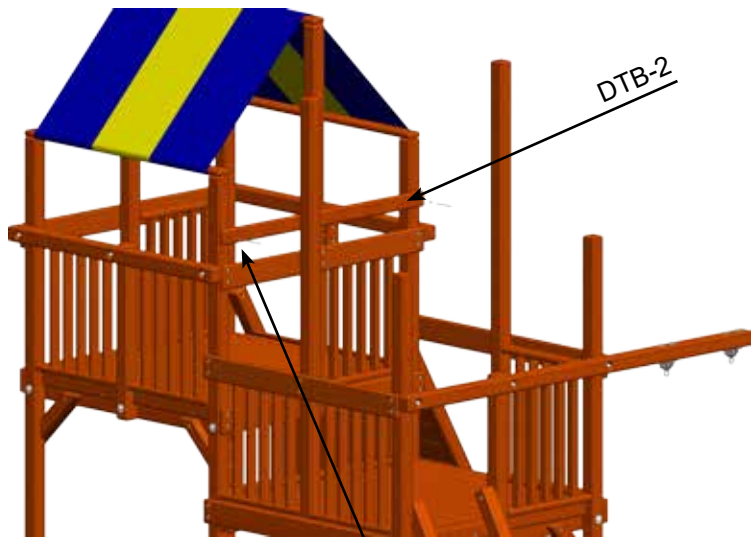
PARTS NEEDED

DTB-2- Universal Tarp Board- (3)

HARDWARE NEEDED

DDH-11- 1/4" USS Flatwasher- (6)

DDH-6- 1/4" x 4 1/2" Hex Lag Screw- (6)



Double Decker Tarp Assembly

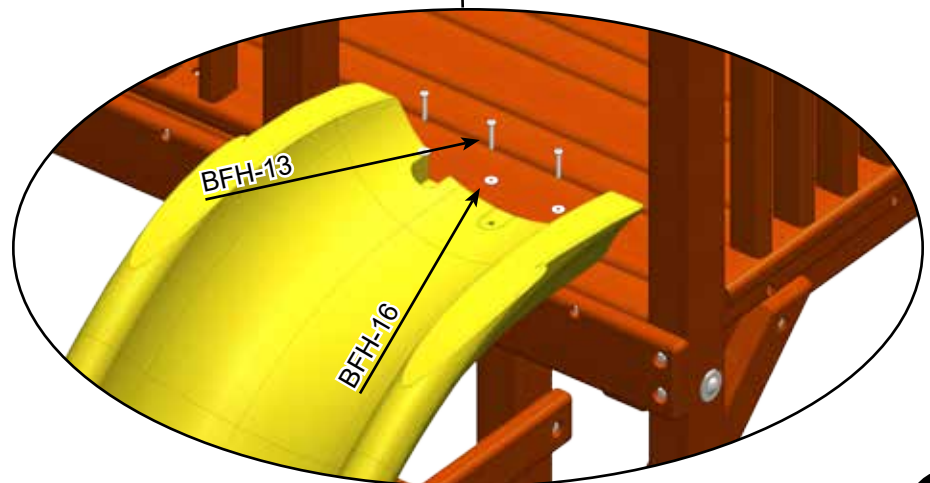
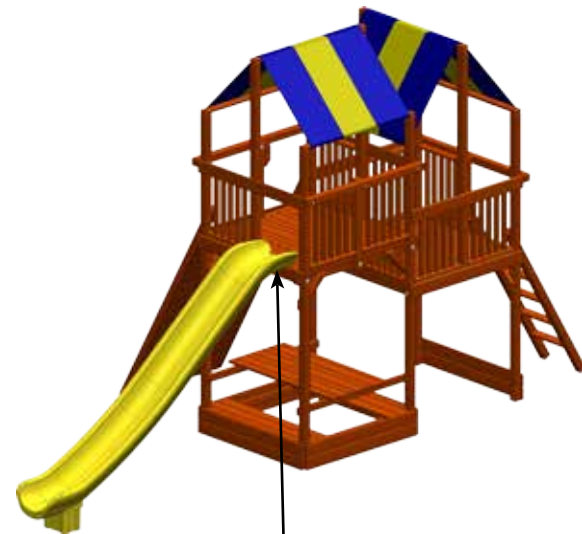
PARTS NEEDED

Double Decker Tarp- (1)
Slide- (1)

Accessory Installs

HARDWARE NEEDED

BFH-13- #14 x 1 1/4" Pan Phillips T/S- (2)
BFH-16- 1/4" USS Flatwasher- (2)



Repeat the tarp install process from before.

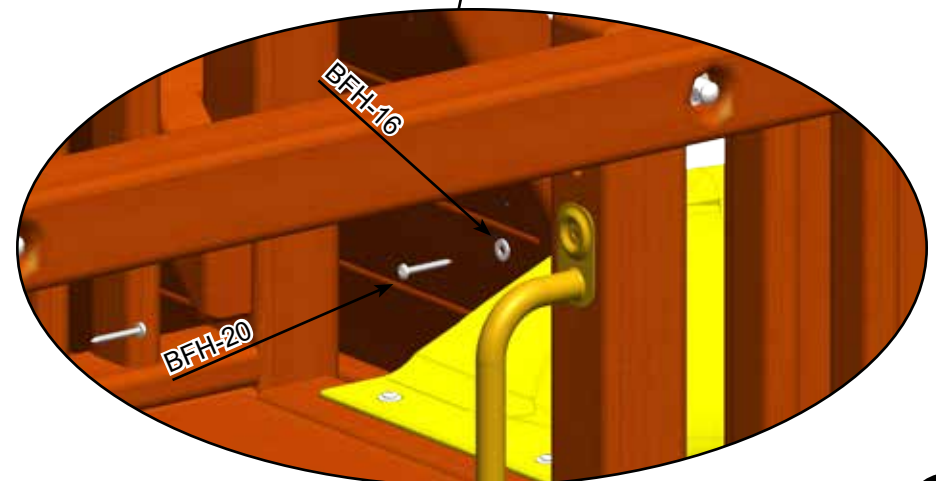
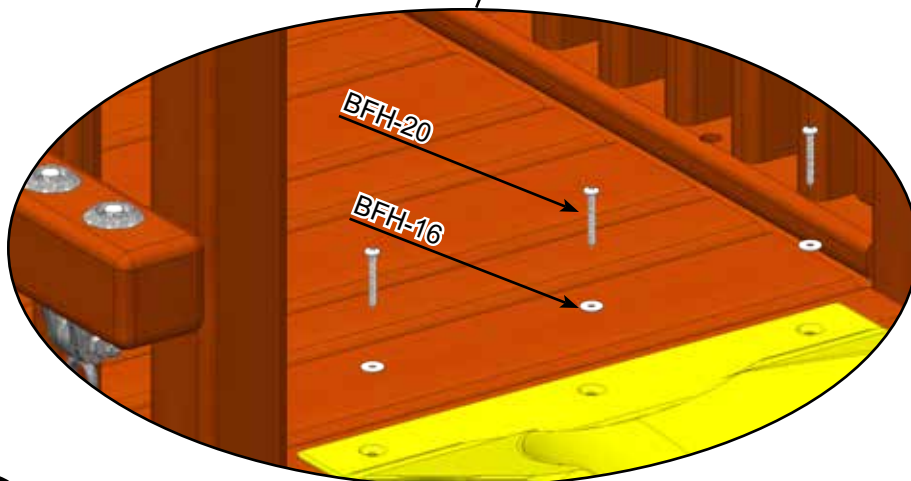
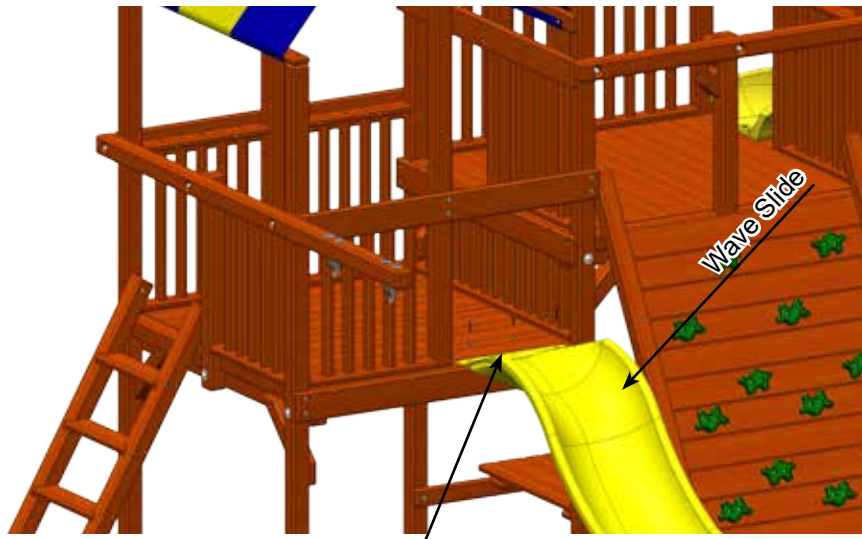
Accessory Installs

PARTS NEEDED

Wave Slide- (1)
STB-2- 1 1/4" Playgrip Safety Handle- (2)

HARDWARE NEEDED

BFH-20- #14 x 2" Pan Phillips T/S- (7)
BFH-16- 1/4" USS Flatwasher- (7)



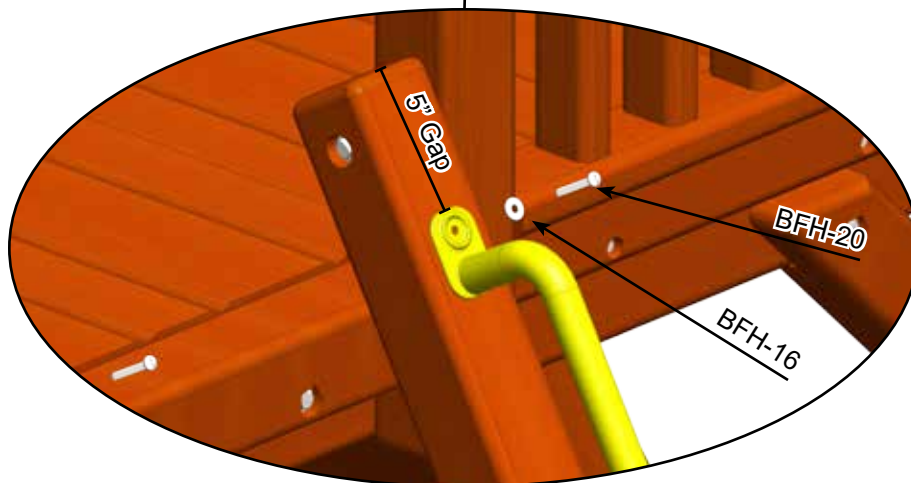
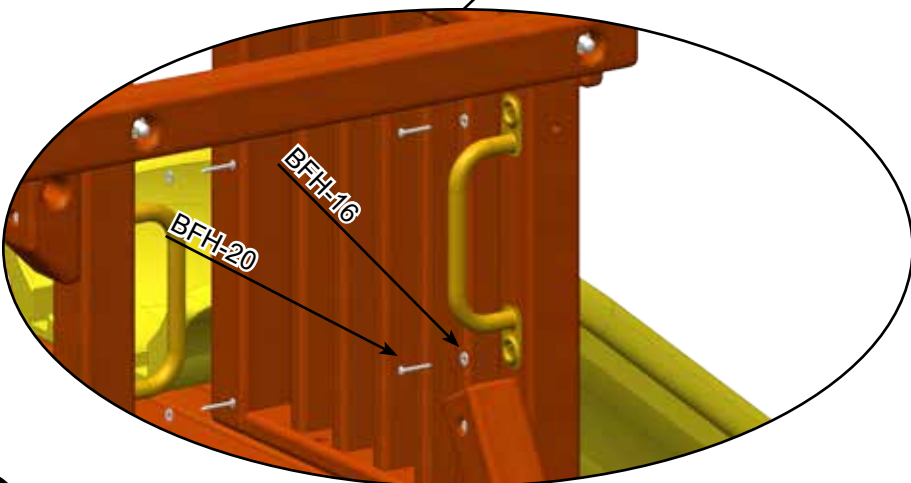
Accessory Installs

PARTS NEEDED

- STB-2- 1 1/4" Playgrip Safety Handle- (3)
- STB-3- 1 1/4" Playgrip Ladder Handle- (2)

HARDWARE NEEDED

- BFH-20- #14 x 2" Pan Phillips T/S- (10)
- BFH-16- 1/4" USS Flatwasher- (10)



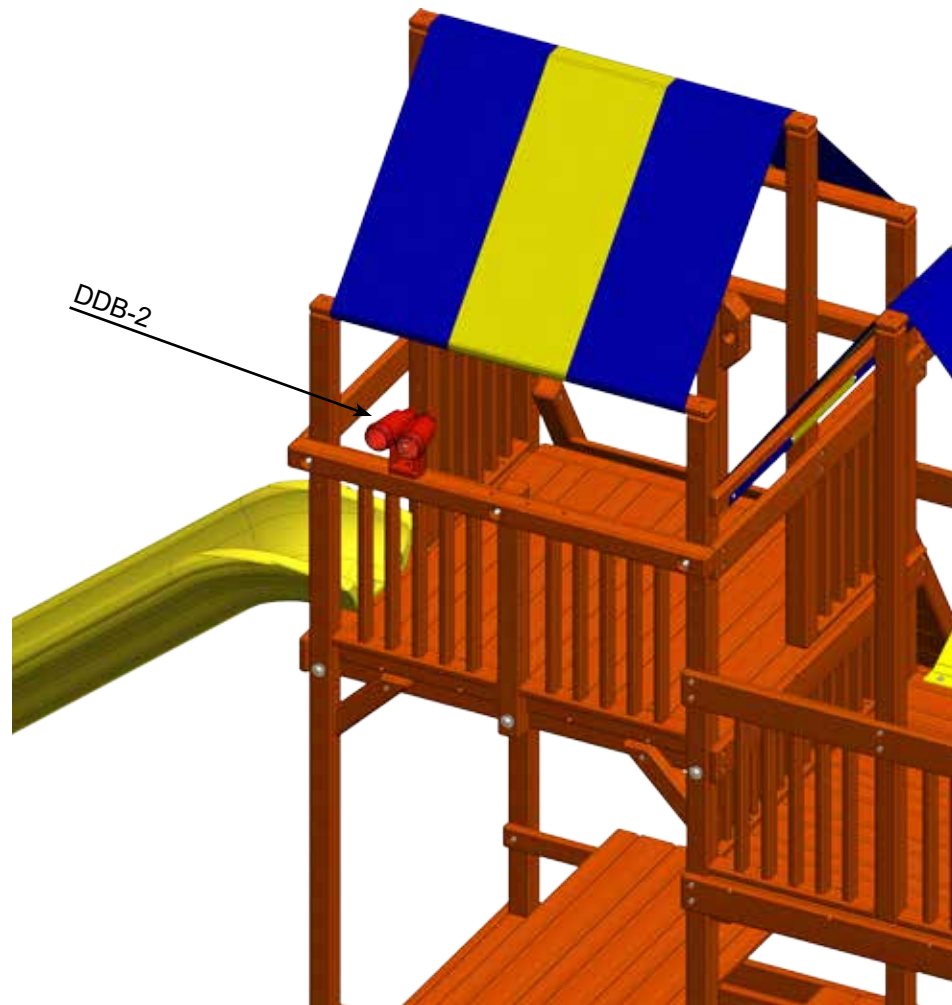
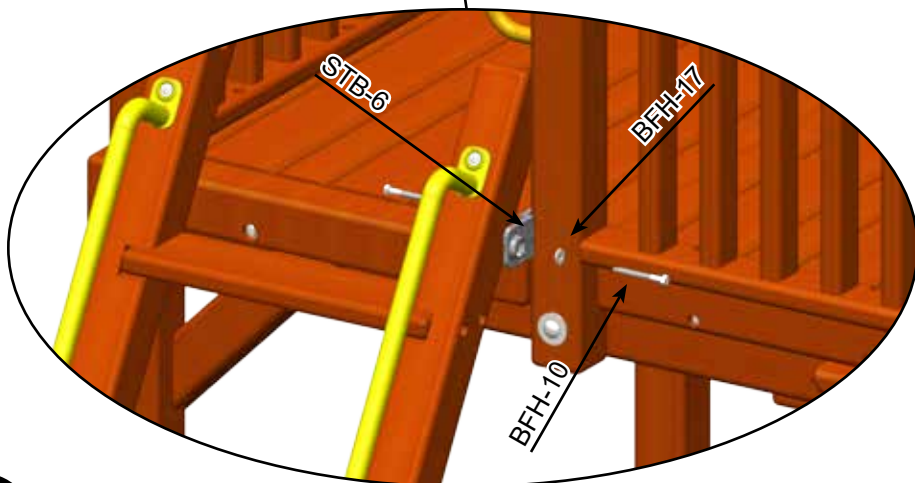
Accessory Installs

PARTS NEEDED

STB-6- Fort Ladder Bracket- (1)
DDB-2- Binoculars w Hardware- (1)

HARDWARE NEEDED

BFH-10- 3/8" x 3 1/2" Hex Lag Screw- (2)
BFH-17- 3/8" USS Flatwasher- (2)



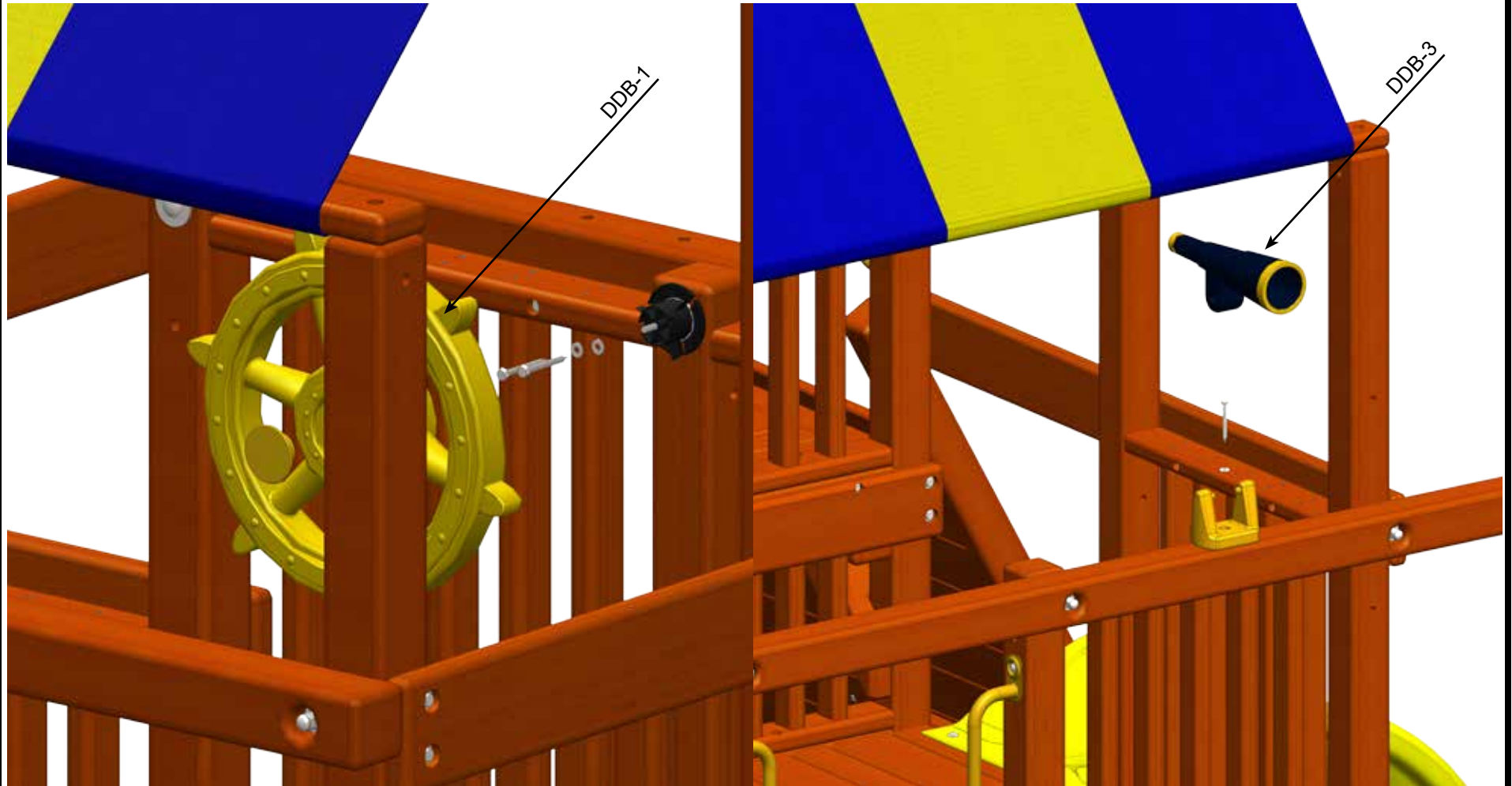
Accessory Installs

PARTS NEEDED

DDB-1- 19" Ship's Wheel- (1)
BBD-3- Telescope- (1)

HARDWARE NEEDED

Hardware w/ Accessories



Accessory Installs

PARTS NEEDED

STB-5- Spring Clip- 10 x 100mm- (2)
DDB-4- 20" Trapeze Bar w/ Rings- (1)

None

HARDWARE NEEDED

