



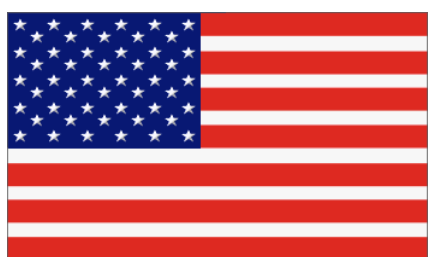
# C872 Series

ADJUSTABLE HEIGHT  
GOAL SYSTEM

Version 3



## *Installation & Owner's Instructions*



## THANK YOU!

**Thank you and congratulations for purchasing a Ryval Hoops Goal - the finest basketball goal system on the market today!** You will discover that Ryval Hoops is unsurpassed in product innovation, quality and integrity in the basketball equipment industry. We are focused on designing, engineering and products that meet and exceed expectations of today's toughest playing environments and demanding players.

## LAY OUT PLAYING COURT

Consider the following to determine where to install the basketball goal:

- Whether the goal is to be installed into a landscaped area next to the playing surface or into a hard-surfaced area.
- Backboard size and its extension distance from the structures.
- If court markings are to be used.
- Amount of playing surface desired beneath the goal.
- Other functions of playing surface (such as driveway, tennis court, etc.)

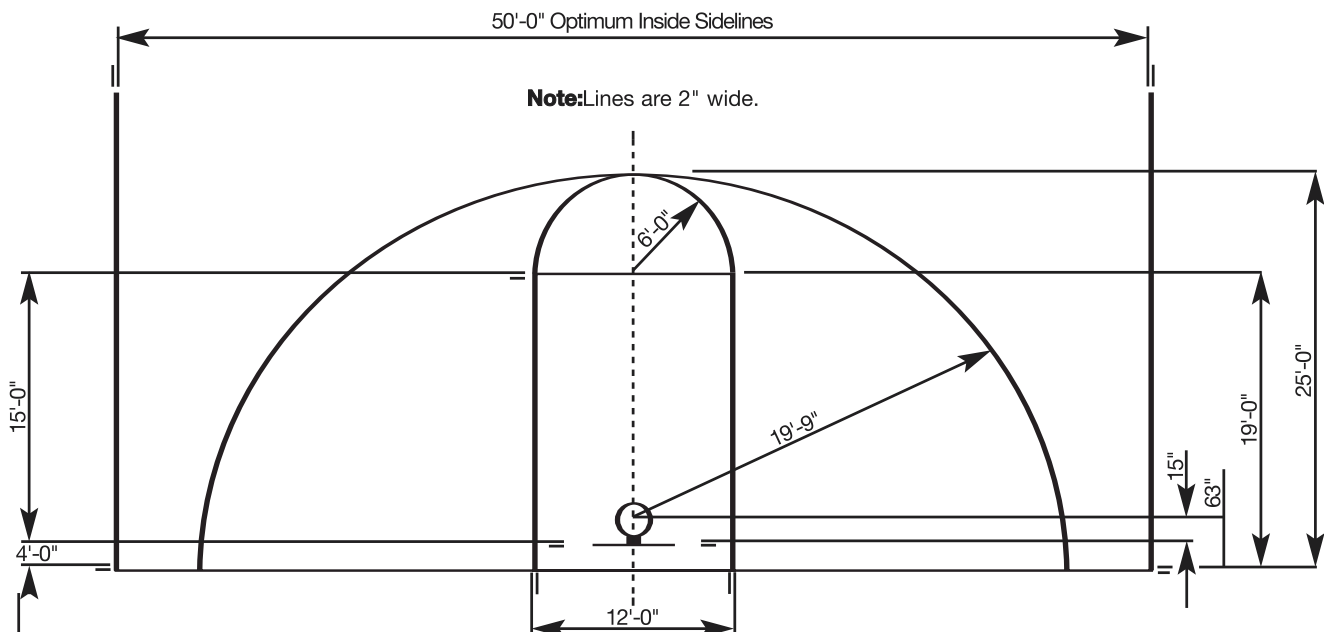
### Court Markings (reference only)

#### Regulation Court Lengths:

High School: 84'

College: 94'

Professional: 94'



## SAFETY INSTRUCTIONS

**Failure to follow these safety instructions may result in serious injury or death and/or property damage.**

- Do not install or use this product unless the instructions within this manual have been carefully read and understood.
- Consult Ryval Hoops if you do not understand the instructions in this manual or need additional information.
- Before digging for the ground anchor, contact your local One-Call system in your area.
- If using a ladder during assembly, use extreme caution. Two or three people are recommended for safe installation and assembly.
- Installation and assembly of this product will require lifting and bending that may result in injury to anyone not accustomed to this type of activity.
- Ensure there are no overhead power lines within a 20 ft. (7 m.) radius of the goal location.
- Climate, corrosion or misuse could result in system failure.
- With rim set at 6'-0" playing height, the minimum operational height is 5'-4" (1.9 m) to the bottom of the backboard.
- DO NOT HANG on the rim or any part of the goal system. This includes the backboard, support braces or net.
- During play, especially when performing dunking activities, keep the player's face away from the backboard, rim and net. Serious injury could result if teeth/face come in contact with the backboard, rim or net. Do not wear jewelry or other loose objects that could become entangled in the net.
- Twice yearly, check the goal system for loose hardware, excessive wear and signs of corrosion. Repair the system before use.
- Never play on damaged equipment.

### WARNING

**FAILURE TO FOLLOW THESE WARNINGS MAY RESULT IN SERIOUS INJURY AND/OR PROPERTY DAMAGE.**

*Owner must ensure that all players know and follow these rules for safe operation of the system.*

- DO NOT REMOVE OR COVER THIS WARNING LABEL
- DO NOT HANG on the rim or any part of system including backboard, support braces or net.
- During play, especially when performing dunk type activities, keep player's face away from the backboard, rim and net. Serious injury could occur if teeth/face come in contact with backboard, rim or net.
- Do not slide, climb or play on pole.
- Do not allow young children to adjust system.
- During play, do not wear jewelry (rings, watches, necklaces, etc.). Objects may entangle in net.
- Keep organic material away from pole base. Grass, litter, etc. could cause corrosion and/or deterioration.
- Check pole system for signs of corrosion (rust, pitting, chipping) and repaint with exterior enamel paint. If rust has penetrated through the steel anywhere, replace pole immediately.
- Check system before each use for loose hardware, excessive wear and signs of corrosion and repair before use.
- Never play on damaged equipment.

### SAFETY INSTRUCTIONS

**FAILURE TO FOLLOW THESE SAFETY INSTRUCTIONS MAY RESULT IN SERIOUS INJURY AND/OR PROPERTY DAMAGE.**

- If using a ladder during assembly, use extreme caution. 2-3 people are recommended for safe installation and assembly.
- Before digging, contact utility company to locate underground power cables, gas and water lines.
- Ensure there are no overhead power lines within 20 ft. (7m) radius of pole location.
- Climate, corrosion or misuse could result in system failure.
- If technical assistance is required, contact the manufacturer.
- Minimum operational height in 6'6" (1.98m) to the bottom of backboard.
- Installation and assembly will require lifting and bending that may result in injury to persons not accustomed to this type of activity.

Most injuries are caused by misuse and/or not following instructions. Use caution when using this system.

# GROUND ANCHOR INSTALLATION

Contacting buried utilities may cause serious injury or death. Before you start digging, always contact your local One-Call system to help prevent personal injury, interruption of services, environmental accidents or job delays.

Electric lines can shock or electrocute. Gas lines can rupture causing explosion or fire. Laser light in fiber optic cable can cause blindness.

One-Call will notify participating utility companies of your proposed digging project. **If you do not know the number for the local One-Call in your area, call the National One-Call at 1-888-258-0808 for this information.** After being notified, utility companies will mark their underground facilities by using the following international marking codes:

Color	Definition
Red	Electric
Yellow	Gas, Oil or Petroleum
Orange	Communication, Telephone, TV
Blue	Portable Water
Green/Brown	Sewer
White	Proposed Excavation
Pink	Surveying

- Required Tools and Materials**
- Spade
  - Shovel
  - Tape Measure
  - Auger or Post Hole Digger
  - Level
  - Stir Rod
  - Water
  - 10-14, 60 lb. Bags of Dry Concrete Mix (or 1/4 - 1/3 yard of ready mix concrete may be substituted for the concrete mix)

# GROUND ANCHOR PLACEMENT

NOTE: At rim height 10 foot, distance from the face of backboard to the front of Main Post (A) is 48". Use these specs to calculate desired backboard overhang of driveway/court.

## STEP A

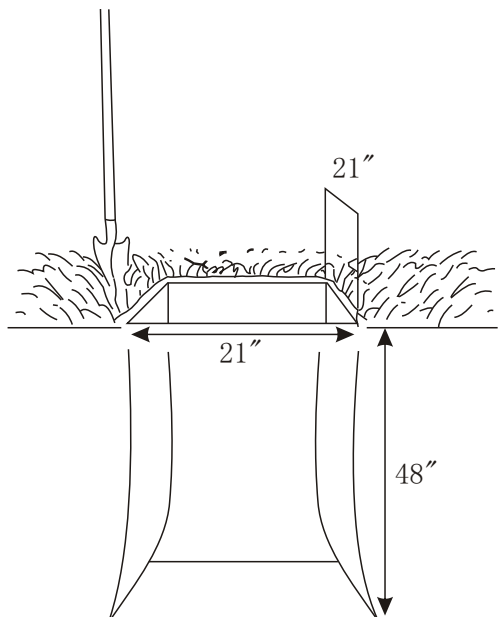
- Dig a hole 48" deep and 21"x 21" square. The edge of the hole should be flush with the edge of the playing surface. If you live in an area where heavy frost can occur, it may pose a problem, consult your local building inspector to determine the appropriate hole depth.

NOTE: The hole must be at least 48" deep.

- Build a form before pouring the concrete pad, to ensure that the top of the concrete remains straight and square. The form should be placed about 1/2" above the playing surface to allow for water drainage.
- Bell out the bottom of the hole.

NOTE: A square hole prevents the rotation of the concrete.

NOTE: The area behind the playing surface must be cleared off by at least 3 feet to enable the user to stand behind the pole to adjust the Rim height.



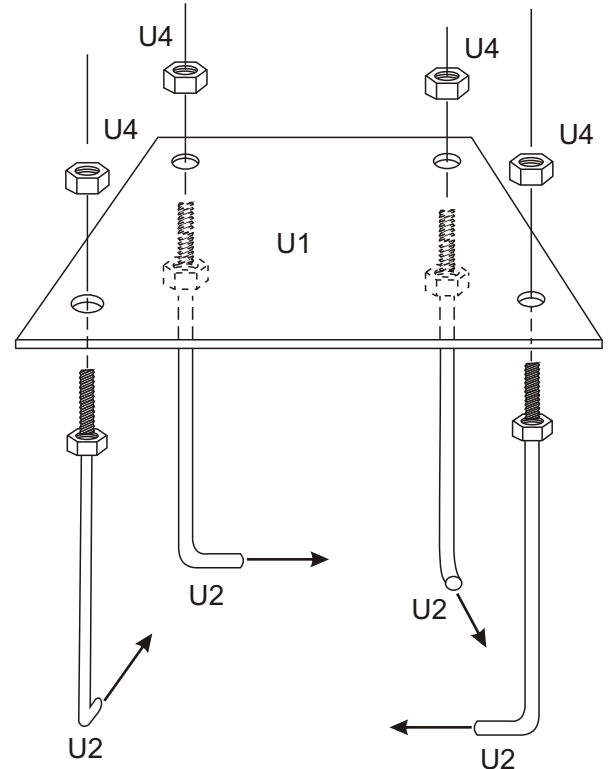
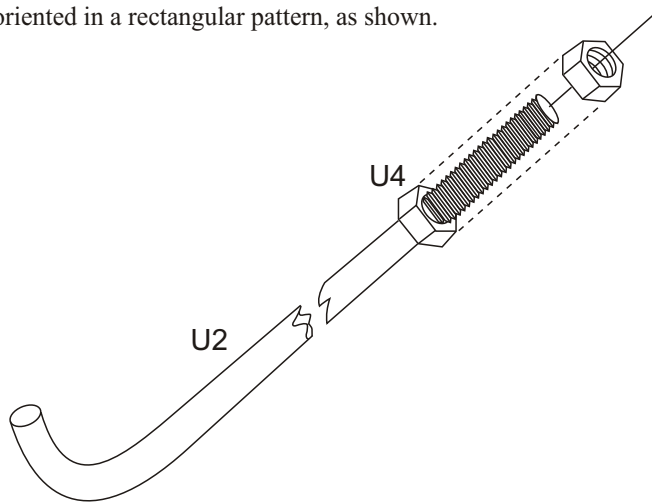


## GROUND ANCHOR PLACEMENT (continued)

### STEP B

- A. Thread a Hex Nut (U4) onto each of the J-Bolts (U2). Securely tighten the Nuts all the way down to the end of the threads.
- B. Slide the threaded end of the J-Bolts through the holes in the Anchor Template (U1) and secure each J-Bolt with a Hex Nut (U4) as shown. Securely tighten all Nuts at this time.

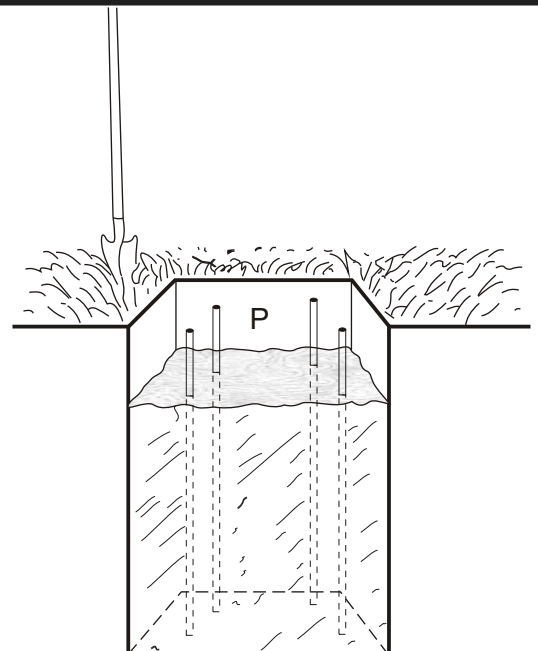
NOTE: Make sure the curved “J” ends of the J-Bolts are oriented in a rectangular pattern, as shown.



## GROUND ANCHOR INSTALLATION

### STEP C

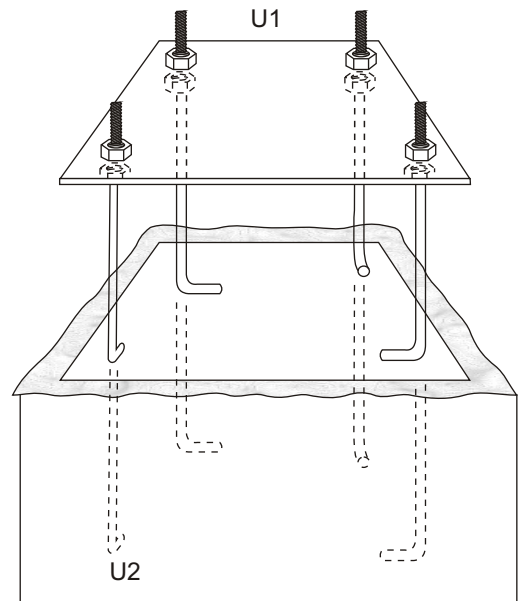
- a. Mix the concrete according to the instructions on the bags. Note that a thicker mix of concrete will dry stronger than a thin mix. Pour the concrete into the hole, stopping approximately 18 inches from the top of the hole.
- b. Insert the four pieces of Anchor Rebar (U5) into the hole, pushing each piece firmly to the bottom of the hole. The four pieces should be arranged in a square approximately 8 inches wide so that each piece of rebar will be positioned next to the J-Bolts when the J-Bolt Template is placed in the cement.
- c. Finish filling the hole to the top with concrete. The top of the concrete should reach just above the level of the top of the form.



## GROUND ANCHOR INSTALLATION (continued)

### STEP D

- Position the J-Bolt Template (U1) over the hole so that it is centered, with the sides of the plate square with the sides of the hole.
- Push the J-Bolts (U2) into the concrete until the J-Bolt Template is resting flat against the surface of the concrete.
- Grasp the tops of the J-Bolts and agitate the Template assembly back and forth repeatedly to eliminate any air bubbles in the concrete. Lift the Template slightly above the concrete when agitating. Make sure the Template is resting on the concrete after agitating. Form the concrete into a downward slope away from the Pole to allow water runoff.
- Clean off any concrete that may be on the J-Bolt Template or the exposed portions of the J-Bolts.
- Using a carpenter's level, make sure the Template is square to and level with the playing surface.
- Allow the concrete to cure for a minimum of 5-7 days before installing the rest of your basketball system. In cold, wet weather or humid climates, allow additional time for the concrete to cure.



YOU ARE NOW FINISHED WITH THE INITIAL ASSEMBLY STEPS. DO NOT PROCEED WITH THE ASSEMBLY UNTIL THE CONCRETE HAS FULLY CURED. CURING WILL TAKE A MINIMUM OF 72 HOURS. IN HUMID CLIMATES OR WET WEATHER, ALLOW ADDITIONAL TIME FOR THE CONCRETE TO CURE.



## WARNING



NEVER USE THE SYSTEM WITHOUT FOLLOWING THE CEMENTING INSTRUCTIONS. FAILURE TO FOLLOW ALL OF THESE INSTRUCTIONS AND WARNINGS COULD LEAD TO SERIOUS PERSONAL INJURY OR PROPERTY DAMAGE AS LISTED ON PAGE ONE.

## GOAL ASSEMBLY

**IMPORTANT:** Concrete must cure a minimum of **48 hours** before installing goal.

**IMPORTANT:** Safe assembly of the goal requires two to three people in good physical condition and capable of lifting 80-100 lbs (36-45 kg) each.

**IMPORTANT:** Locate and familiarize yourself with all parts of the goal before beginning assembly.

### Required Tools and Materials

Level

Rubber Mallet

12' Tape Measure

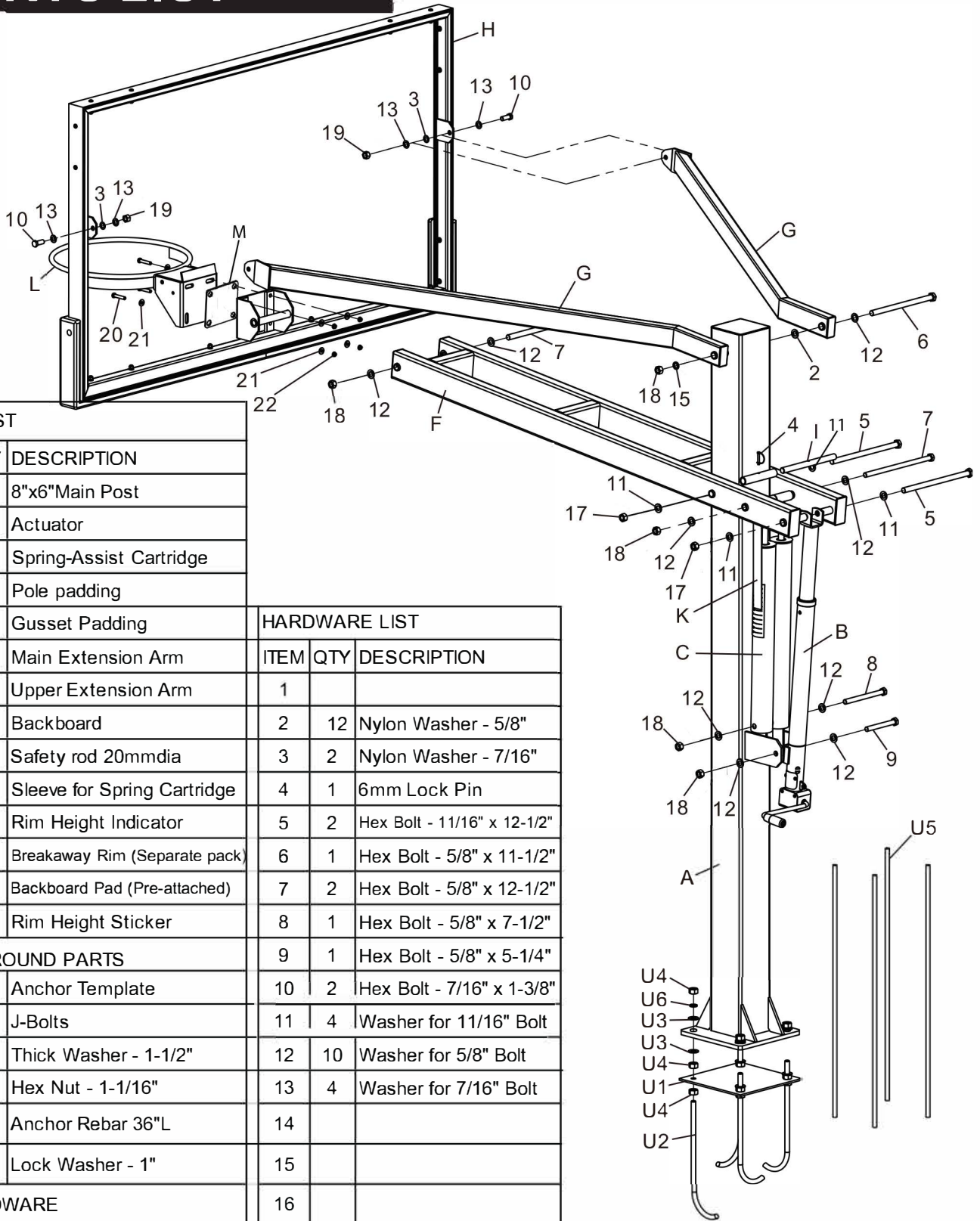
Phillips Screwdriver

Ratchet

5/8" and 3/4" Sockets or Wrenches

15/16" and 1-1/16" sockets or Wrenches

# PARTS LIST



PARTS LIST		
ITEM	QTY	DESCRIPTION
A	1	8"x6" Main Post
B	1	Actuator
C	2	Spring-Assist Cartridge
D	1	Pole padding
E	1	Gusset Padding
F	1	Main Extension Arm
G	2	Upper Extension Arm
H	1	Backboard
I	1	Safety rod 20mmdia
J	1	Sleeve for Spring Cartridge
K	1	Rim Height Indicator
L	1	Breakaway Rim (Separate pack)
M	1	Backboard Pad (Pre-attached)
N	1	Rim Height Sticker
UNDERGROUND PARTS		
U1	1	Anchor Template
U2	4	J-Bolts
U3	8	Thick Washer - 1-1/2"
U4	12	Hex Nut - 1-1/16"
U5	4	Anchor Rebar 36"L
U6	4	Lock Washer - 1"
RIM HARDWARE		
20	4	Carriage Bolt - 3/8" x 2-1/8"
21	8	Washer for Carriage Bolt
22	4	Flange Nut for 3/8"

HARDWARE LIST		
ITEM	QTY	DESCRIPTION
1		
2	12	Nylon Washer - 5/8"
3	2	Nylon Washer - 7/16"
4	1	6mm Lock Pin
5	2	Hex Bolt - 11/16" x 12-1/2"
6	1	Hex Bolt - 5/8" x 11-1/2"
7	2	Hex Bolt - 5/8" x 12-1/2"
8	1	Hex Bolt - 5/8" x 7-1/2"
9	1	Hex Bolt - 5/8" x 5-1/4"
10	2	Hex Bolt - 7/16" x 1-3/8"
11	4	Washer for 11/16" Bolt
12	10	Washer for 5/8" Bolt
13	4	Washer for 7/16" Bolt
14		
15		
16		
17	2	Hex Lock Nut for 11/16"
18	5	Hex Lock Nut for 5/8"
19	2	Hex Lock Nut for 7/16"



# WARNING



**\*BECAUSE OF THE SIZE AND WEIGHT OF THE SYSTEM, A MINIMUM OF THREE ADULTS ARE REQUIRED FOR THE FOLLOWING STEPS\***

## STEP 1

- A. Slide a Thick Washer (U3) over each of the J-Bolts (U2) as shown in FIGURE 1A.
- B. Remove the Padding from Main Post (A). Place the Main Post (A) over the J-Bolts. Slide a Thick Washer (U3), a Lock washer (U6) and thread a Hex Nut (U4) to each J-bolt. Tighten the Nuts only a few turns onto the J-Bolts as shown in FIGURE 1B.
- C. If the Main Post (A) is not exactly vertical, adjust the J-Bolt Hex Nuts (U4) located under the Post base. Tighten all of the Hex Nuts (U4) Above Post base when Main Post (A) is vertical.

*NOTE: Face the Main Post (A) with Actuator Bracket facing away from playing court (as shown in FIGURE 1C).*

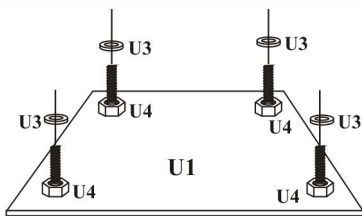


FIGURE 1A

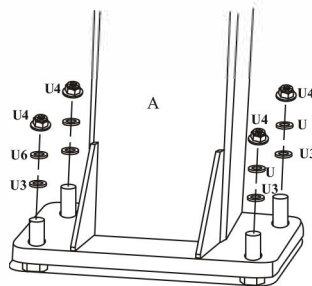


FIGURE 1B

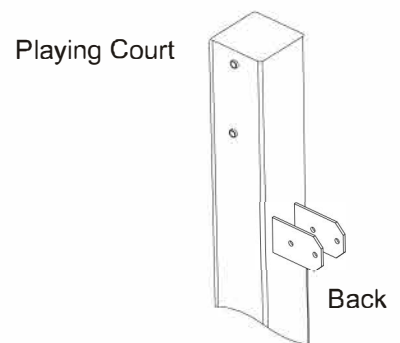


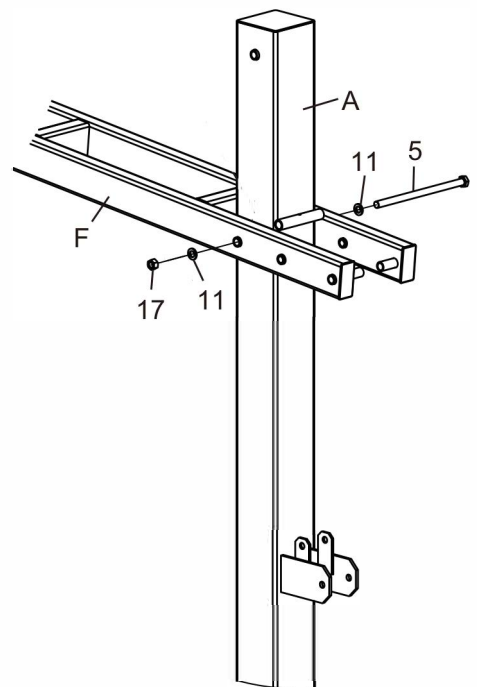
FIGURE 1B

## STEP 2

- A. Slide the Main Extension Arm (F) over the top of the Main Post (A) and attach to the lower pivot tube with a Hex Bolt (#5), two Flat Washers (#11), and a Hex Lock Nut (#17).

Do not over tighten this bolt and nut.

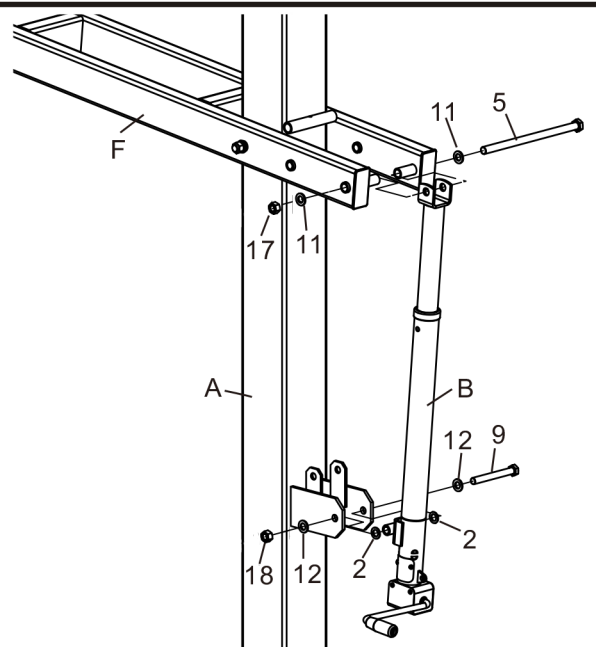
*Note: make sure the Nylon washers locate between Main Extension Arm (F) and Main Post (A).*



### STEP 3

- A. Slide the Actuator(B) to the last set of welded tubes on the Main Extension Arm (F), Using a Hex Bolt (#5), two Flat Washers (#11), and a Hex Lock Nut (#17) at the top. And using a Hex Bolt (#9), two Washers (#12), two Nylon washers (#2), and one Hex Lock Nut (#18) on bottom to tight the Actuator.

*Note: make sure the Nylon washers go between Actuator and Mounting Bracket.*



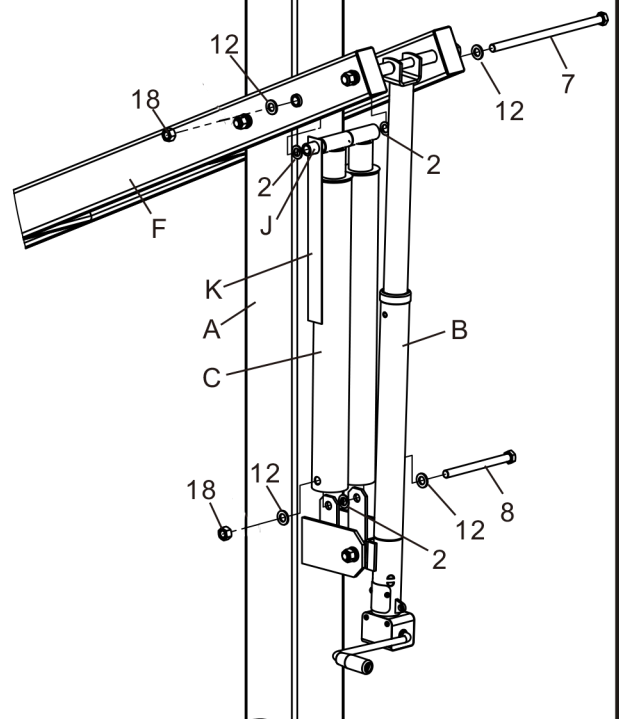
### STEP 4

- A. Slide Steel Sleeve (J) thru both tubes welded at the top end of Spring-Assist Cartridge (C). Place the top of Spring-Assist between Main extension (F), align the Steel Sleeve (J) with the second set of welded tubes on the Main Extension Arm (F), place the Plastic rim Height Indicator (K) beside the Spring-Assist Cartridge . Slide one Washer (#12) over one Hex Bolt (#7), and slide this Bolt all the way thru Main Extension Arm (F), one Nylon washer (#2), Steel Sleeve (J), Rim Height indicator (K), another Nylon washer (#2), and the other side of Main Extension Arm (F). Secure it with one Flat Washer (#12), and one Hex Lock Nut (#18). Do not over tighten this bolt because this is the pivot point. Make sure the Plastic Rim Height Indicator(K) hang freely along side of Spring-Assist Cartridge .

*Nylon washer locates between Steel sleeves (J) and Main Extension Arm (F).*

- B. Attach the bottom of Spring-assist Cartridges (C) to the Main pole Bracket by using a Hex Bolt (#8), two Flat Washers (#12), a Nylon Washer (#2) and a Hex Lock Nut (#18).  
*Note: Nylon washer goes between two Cartridges (C).*

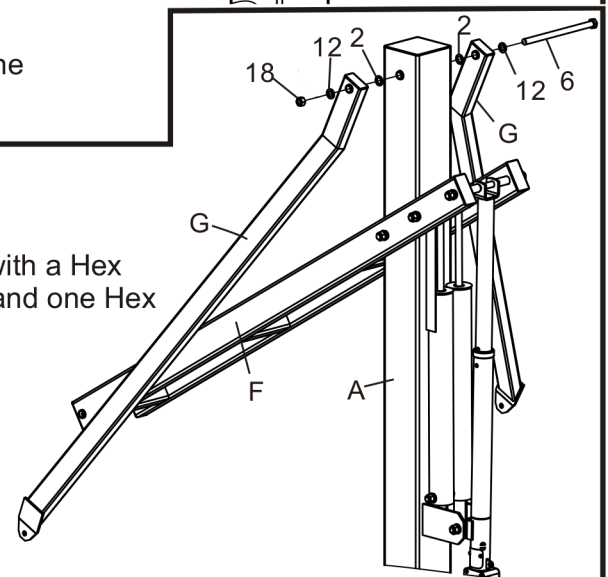
- C. Remove and discard the White plastic spreader tube from the Spring-Assist Cartridges(C).



### STEP 5

- A. Attach the 2 Upper Extension Arms (G) to Main Post (A) with a Hex Bolt (#6), two Flat Washers (#12), 2 Nylon washers (#2), and one Hex Lock Nut (#18).

Do not tighten at this time.





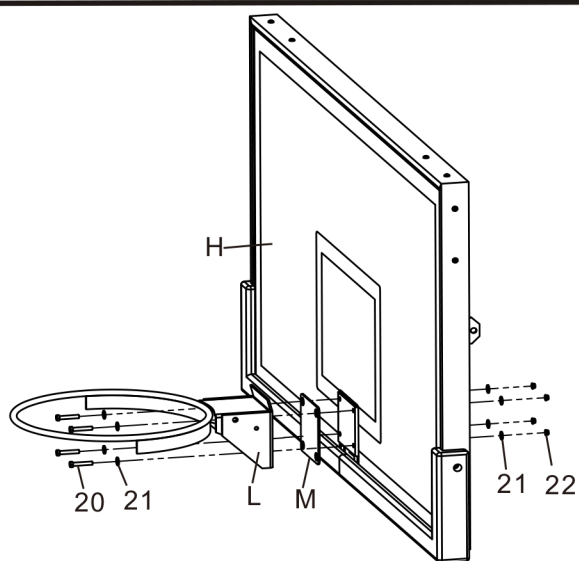
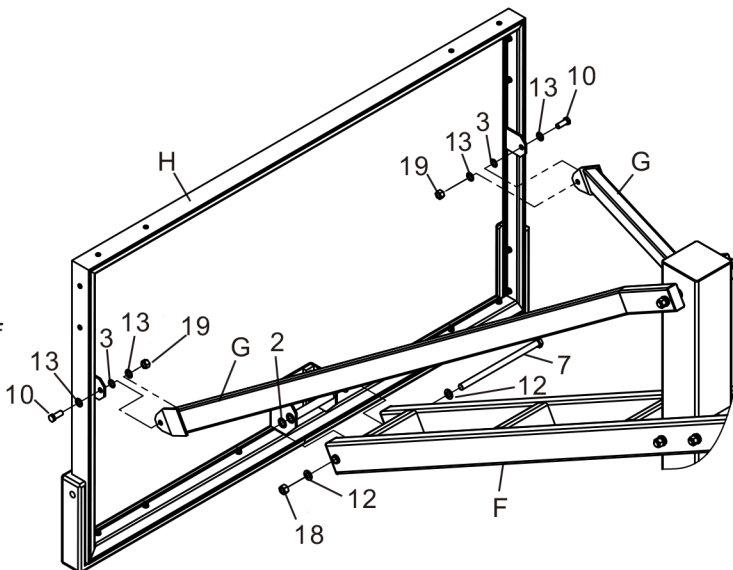
## STEP 6

- A. Attach the Backboard to Main Extension Arm(F) by using a Hex Bolt (#7), two Flat Washers (#12), two Nylon Washers (#2), and one Hex Lock Nut (#18).

*Note: Nylon washers go between Main extension arm Bracket (F) and Backboard mounting bracket.*

- B. Connect Upper Extension Arms (G) to the side of Backboard (H), using 2 Hex Bolts (#10), 4 Flat Washers (#13), 2 Nylon washers (#3), and two Hex Lock Nuts (#19).

*Note: Put Nylon washers between backboard plate and Upper extension connecting plate.*



## STEP 7

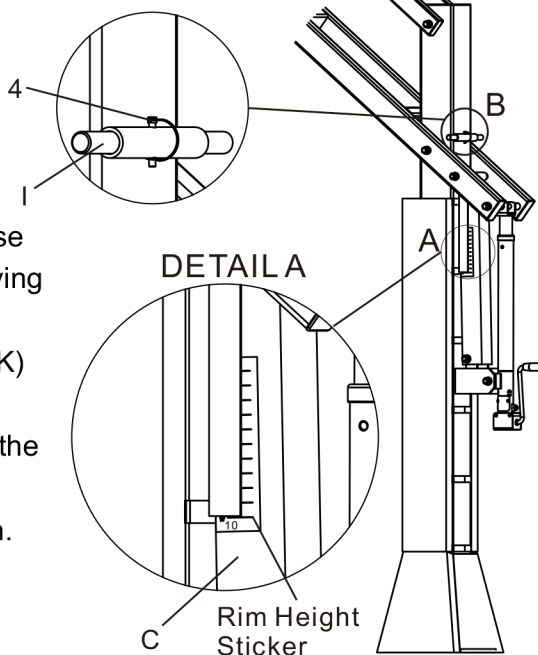
- A. Remove the screws on Rim spring box cover, open the Spring box.
- B. Mount the rim to the Mounting bracket on Backboard(H) using the hardware supplied in rim box.
- C. Re-attach Spring box cover to the Rim with removed screws.

*NOTE: Use a level to make sure rim is level side to side before tightening nuts.*

## STEP 8

- A. After everything is square, make sure all nuts on the system have been tightened.  
*NOTE: But do not over tighten the Nuts, make sure the unit can be adjusted up and down.*
- B. To apply the Rim Height Sticker (In the manual pack), first use a tape measure to crank rim up to exactly 10' from the playing surface. Use a pencil to make a mark on the Spring-assist Cartridge(C) where the bottom of the Rim Height Indicator(K) stops. Then, peel and apply Rim Height Sticker to outside of Spring-assist Cartridge(C) lining up the pencil mark with the 10' mark on the Rim Height Sticker. See detail A.
- C. Attach Post Pad and Gusset Pad to Main Post(A) as shown.
- D. Slide Safety Rod (I) thru the tube welded on the backside of Main Post (A), align the holes each other and secure it with one Lock Pin 6mm (#4). See detail B.

### DETAIL B



## Ryval Warranties

Buyer agrees that products sold by Ryval hoops carry the following warranty. Subject to proper installation and normal, intended use, all structural components of Coach Series tm, Phenom X Series tm, Wall Mount Hoops are warranted to the original owner to be free of defects in materials and workmanship for the duration of ownership (Limited Lifetime) by the original retail purchaser, subject to the limitations below. The Driveway Series tm will be covered by this warranty for a period of 5 years. This limited warranty coverage is extended only to the original retail purchaser and terminates if the original retail purchaser otherwise transfers or sells the product. This warranty is limited to a repair or replacement of the defective part. Product covered under this warranty will be shipped at the customer's expense. Ryval Hoops is not responsible for any expense associated with freight, or delivery and installation of the warranted part(s). Ryval Hoops reserves the right to inspect all warranty claim parts for which a claim has been made.

Any modification could damage the structural integrity of the equipment and voids all warranties. Where listed as "Limited", the warranties shall cover damage or failure that occurs during the course of normal or intended use of the product. Normal or intended use shall be described as activity that is necessary for the participation in the sport for which the equipment is designed. Not covered is damage caused by deliberate hanging, multiple player hanging, vandalism, non-basketball activities or any other activity that could be regarded as abusive.

**Padding Warranty:** Multi-Purpose Backboard Edge Padding: One-year limited warranty.  
Custom fit & Wrap around Pole Padding & Gusset Padding One-year limited warranty.

**Net:** One-year limited warranty

### Not Covered By This Warranty

- Any Products subjected to abuse, negligence, improper installation, vandalism, acts of God, alteration of product or any other events beyond the control of Ryval Hoops.
- Use in non-residential applications of glass backboards.
- Paint or rusted parts. If rust begins, sand rust & loose paint, primer & paint with a satin black. Touch-up kits are available.
- Deterioration of product due to time or wear and tear.
- Use in non-residential applications of Glass backboards.

Normal deterioration of products due to atmospheric conditions, weather, rust wear and tear (including paint), or other causes that do not affect functional use are not covered by Ryval Hoops warranties. All warranties are valid only when product is used in the intended application and when installed according to Ryval Hoops instructions. Warranty will be void if maintenance instructions in the owner's manual are not followed, including jack lubrication. If you did not receive an owner's/instruction manual, please contact Ryval Hoops and one will be sent to you.

**Warranty Claims: A copy of the original invoice must be presented to initiate warranty claim.** A warranty claim form must be completed and photos submitted for any item you wish to claim under warranty. If part to be warranty is requested, a “Return Merchandise Authorization” (RMA) number will be required prior to shipping damaged Product by original retail Consumer Purchaser with freight prepaid by consumer. If the purchase was made through a dealer, warranties do not cover dealer service charges, labor charges, freight or travel expense associated with replacement, repair or removal or warranty item

**-This warranty is exclusive and expressly in lieu of all other warranties, expressed or implied, including warranties of merchantability or fitness for use. Ryval Hoops does not assume, or authorize any person to assume for us, any other liability in connection with the sale of our products.** If Ryval Hoops cannot disclaim or exclude implied warranties under applicable law, then to the extent possible any claims under such implied warranties shall expire or expiration or the applicable warranty period. Some states do not allow limitations on how long an implied warranty lasts, so the above limitation may not apply to you, Ryval Hoops does not assume or authorize any person to assume for us, any other liability in connection with the sale of our products. Ryval Hoops shall not be liable for loss of use of the product or other consequential or incidental costs. Expenses or damages incurred by the consumer or any other use.

To the maximum extent permitted by law, Ryval Hoops assumes no responsibility for incidental or consequential damages, which may arise from the purchasers or use of our equipment. Some states don not allow the exclusion or limitations of incidental or consequential damage, so the limitation or exclusion may not apply to you. If any provision of this warranty is invalid, void or unenforceable in any instance or respect, the unenforceable provision will be severed and reformed to affect the intent of this limited warranty to the maximum extent possible, and the remaining provisions shall continue in full force and effect and shall be enforced to the full extent permitted by law.

Ryval Hoops reserves the right at any time to change product specifications or substitute similar components. A limited lifetime warranty is effective for the duration of ownership by the original retail purchaser or 5 years after discontinuation of the product by Ryval Hoops.

This warranty gives you specific rights and you may also have other rights, which vary from state to state.

Questions or Comments?

[www.RyvalHoops.com](http://www.RyvalHoops.com)

Email: [info@ryvalhoops.com](mailto:info@ryvalhoops.com)

Phone 800-787-0655